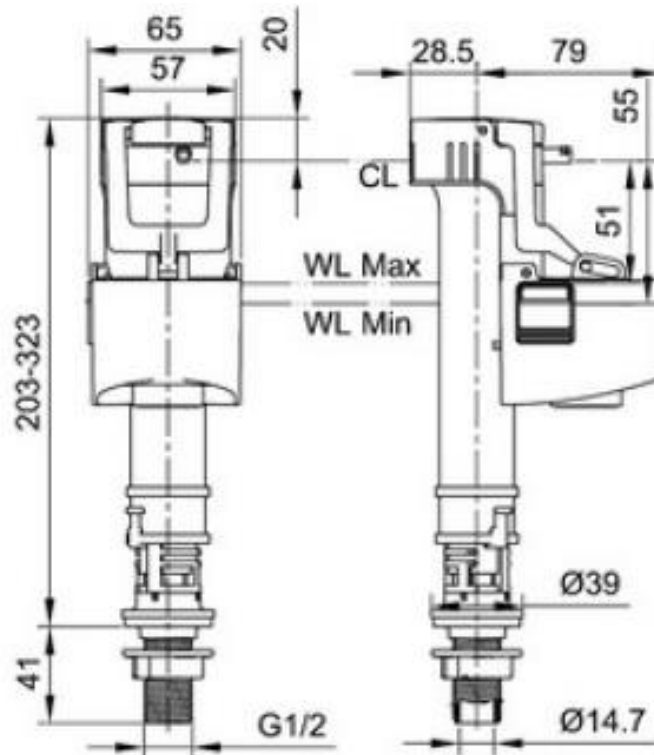




Brand : WDI, China
 Name : Fill valve 3/8" connection
 Item Code : B3300 YDASV1
 Designer :
 Color / Finish:
 Dimensions : 203 - 323mm adjustable height

Product info:
 • Fill valve 3/8" connection



Flushing of pipe must be done before fittings are installed. Failure to do so voids the warranty.
 Follow cleaning instructions and avoid using any harmful chemicals.
 All information is for reference only. Installation shall always be based on the specs provided with actual delivered items.
 For more info, visit www.sanitecph.com