



Brand : WDI, China
 Name : Fill valve ½
 Item Code : B3300 MCASV2

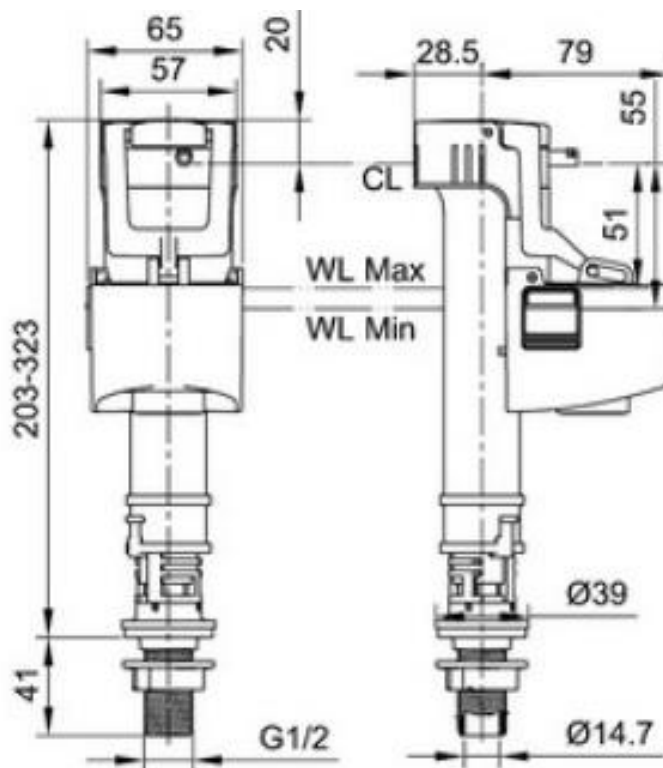
Designer :

Color / Finish: White

Dimensions : (See data drawing below for dimensions)

Product info:

- Fill Valve
- ½ bottom connection
- Can be installed in or concealed cistern
- For water pressure range: 0.3-10 (Kgf/cm)
- Plastic connection available: G1/2 & G3/8 & 5/16"
- Brass connection: G1/2 & G3/8
- Primer provided, refilling ratio is 0-31%



Flushing of pipe must be done before fittings are installed. Failure to do so voids the warranty.

Follow cleaning instructions and avoid using any harmful chemicals.

All information is for reference only. Installation shall always be based on the specs provided with actual delivered items.

For more info, visit www.sanitecph.com