



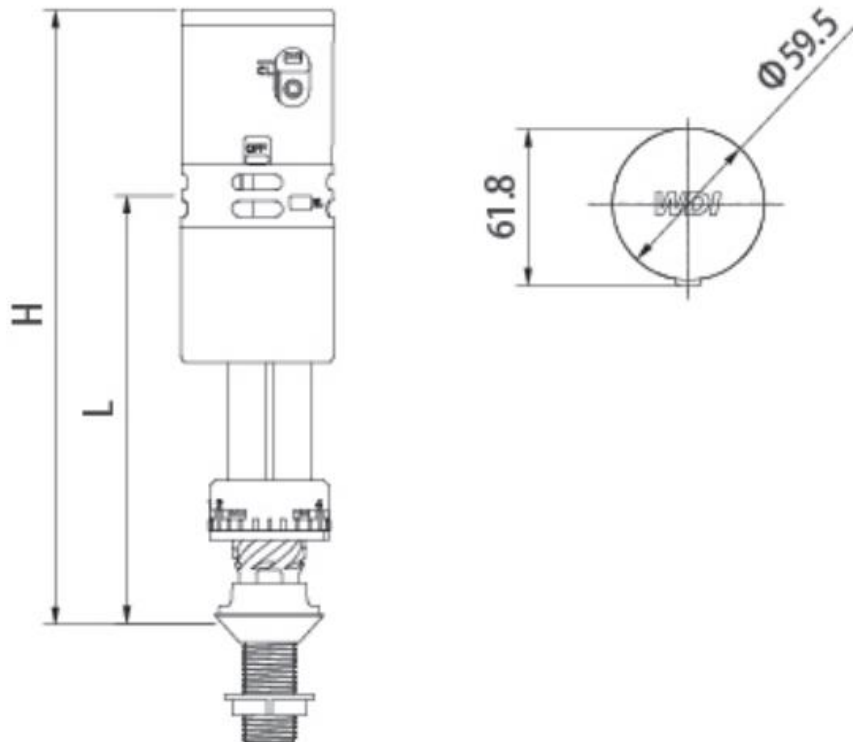
Brand : WDI, China  
 Name : "I" Fill Valve  
 Item Code : B3260 CASV1

Designer :

Color / Finish: N/A  
 Dimensions : 220 – 310 mm length  
 150 – 240 mm height

**Product info:**

- "I" Fill Valve
- For water pressure range: 0.1-16 (Kgf/cm)
- Plastic connection available: G1/2 and G15/16"
- Primer provided, refilling ratio is 0-32%
- Self-clean technique, dirty water resistance



Flushing of pipe must be done before fittings are installed. Failure to do so voids the warranty.

Follow cleaning instructions and avoid using any harmful chemicals.

All information is for reference only. Installation shall always be based on the specs provided with actual delivered items.

For more info, visit [www.sanitecph.com](http://www.sanitecph.com)