



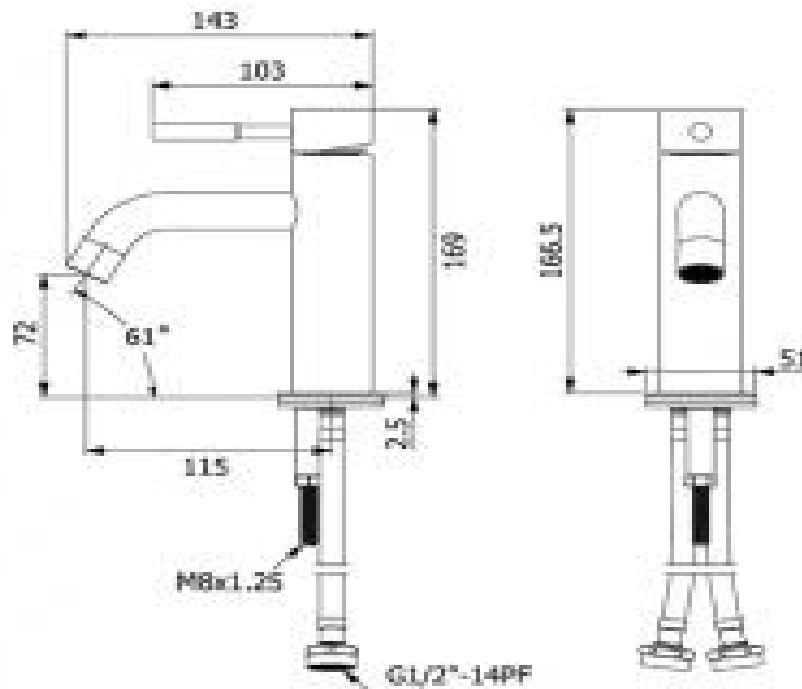
Brand : VRH, Thailand
 Name: MARATHON Basin mixer with ½
 Item Code: P2001A7
 Designer:
 Color / Finish: 304 Stainless Steel
 Dimensions: 143 x 51 x 169 mm
 115 mm spout projection

Product info:

- Wall shut-off valve ½
- With hose connection ½"

Add-ons:

- 1x angle valve ½"x½" (no nuts)
- 1x basin waste trap



Flushing of pipe must be done before fittings are installed. Failure to do so voids the warranty.

Follow cleaning instructions and avoid using any harmful chemicals.

All information is for reference only. Installation shall always be based on the specs provided with actual delivered items.

For more info, visit www.sanitecph.com