

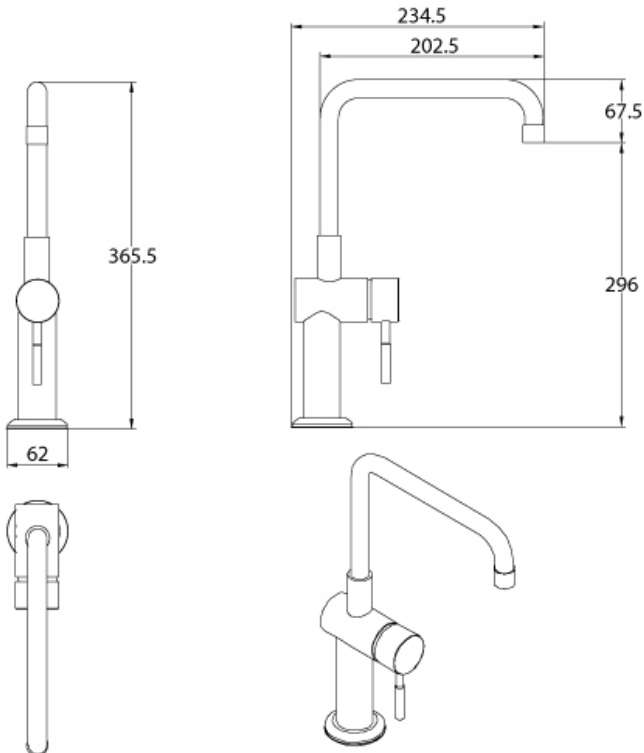


Brand : VRH, Thailand  
Name : Marathon Sink mixer  
Item Code : P1001A1

Designer :  
Color / Finish: 304 Stainless Steel  
Dimensions : 234.5 mm length  
365.5 height

**Product info:**

- Single Lever Sink Mixer
- With High L spout
  
- 2x angle valve  $\frac{1}{2}$  x  $\frac{1}{2}$  (no nuts)



Flushing of pipe must be done before fittings are installed. Failure to do so voids the warranty.  
Follow cleaning instructions and avoid using any harmful chemicals.  
All information is for reference only. Installation shall always be based on the specs provided with actual delivered items.  
For more info, visit [www.sanitecph.com](http://www.sanitecph.com)