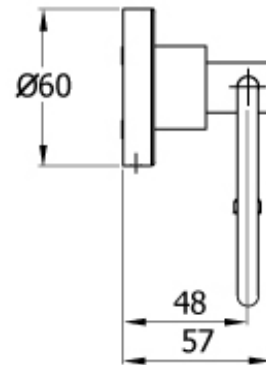
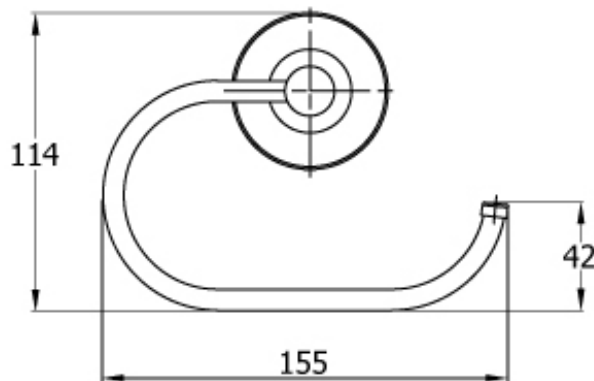
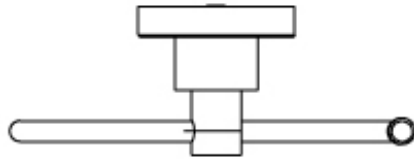




Brand : VRH, Thailand
Name : MARATHON Towel ring
Item Code : MA103AS

Designer :
Color / Finish: 304 Stainless Steel
Dimensions : 155 x 57 x 114 mm

Product info:
• Towel ring



Flushing of pipe must be done before fittings are installed. Failure to do so voids the warranty.
Follow cleaning instructions and avoid using any harmful chemicals.
All information is for reference only. Installation shall always be based on the specs provided with actual delivered items.
For more info, visit www.sanitecph.com