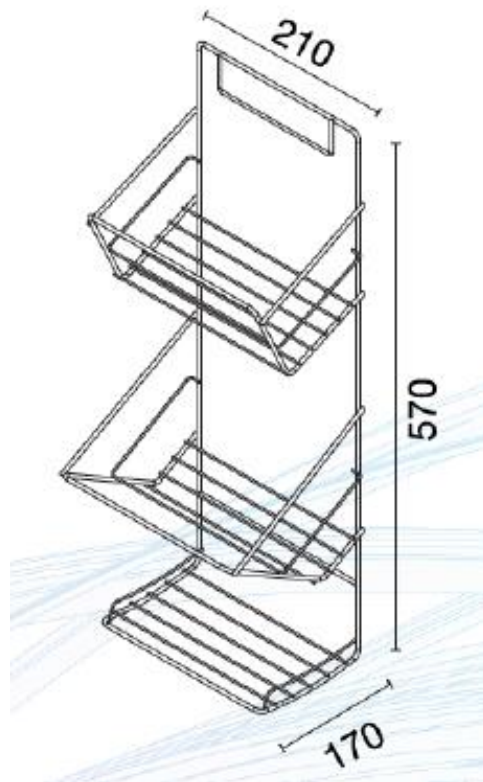




Brand : VRH, Thailand
Name: 2-Tiered shampoo holder with shelf
Item Code: H301
Designer:
Color / Finish: 304 Stainless Steel
Dimensions: 204 x 555 mm

Product info:

- 2-tiered shampoo holder
- With shelf



Follow cleaning instructions and avoid using any harmful chemicals. Failure to do so voids the warranty.

All information is for reference only. Installation shall always be based on the specs provided with actual delivered items.
For more info, visit www.sanitecph.com