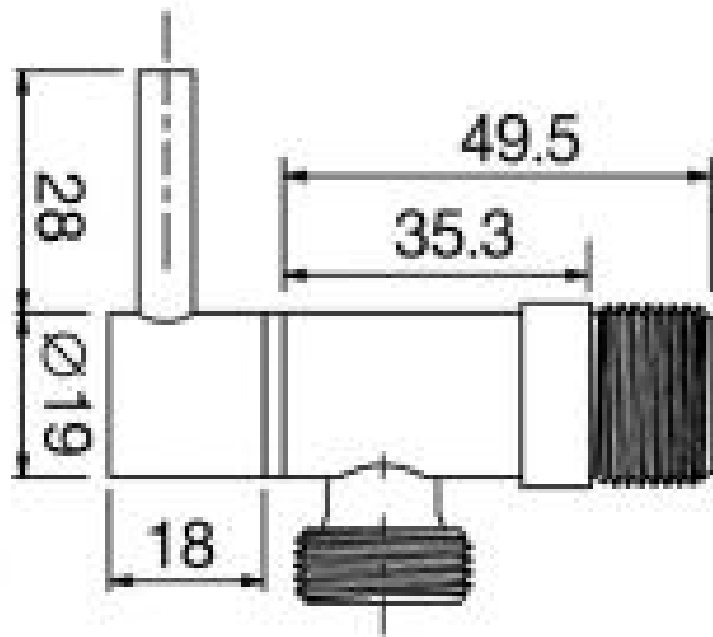




Brand : VRH, Thailand
Name: Bonny 2way stop valve
Item Code: C9120K1
Designer:
Color / Finish: 304 Stainless Steel
Dimensions: (See data drawing below for dimensions)

Product info:

- Angle valve ½"x½"



Flushing of pipe must be done before fittings are installed. Failure to do so voids the warranty.
Follow cleaning instructions and avoid using any harmful chemicals.
All information is for reference only. Installation shall always be based on the specs provided with actual delivered items.
For more info, visit www.sanitecph.com