



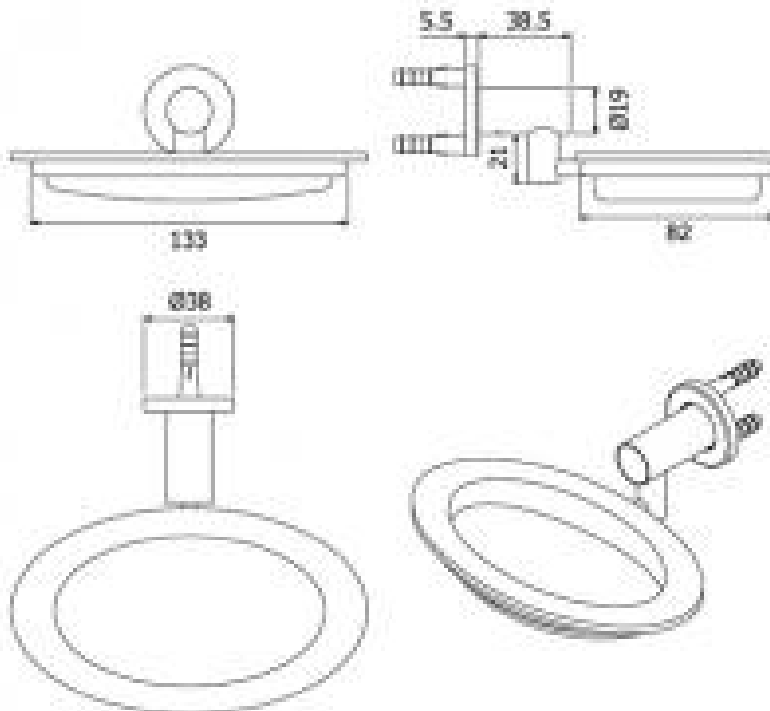
Brand : VRH, Thailand
Name : BONNY Soap Holder
Item Code : BN107AS

Designer :

Color / Finish: 304 Stainless Steel
Dimensions : 36.5 x 140 x 66 mm

Product info:

- Soap Holder



Flushing of pipe must be done before fittings are installed. Failure to do so voids the warranty.

Follow cleaning instructions and avoid using any harmful chemicals.

All information is for reference only. Installation shall always be based on the specs provided with actual delivered items.

For more info, visit www.sanitecph.com