

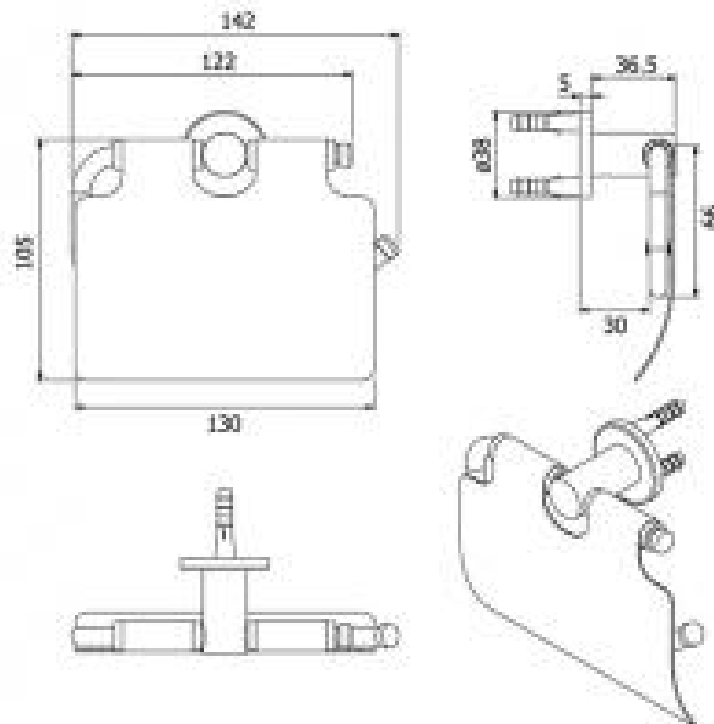


Brand : VRH, Thailand
Name : BONNY Roll holder with lid
Item Code : BN104AS

Designer :
Color / Finish: 304 Stainless Steel
Dimensions : 36.5 x 142 x 105 mm

Product info:

- Roll Holder
- With Lid



Flushing of pipe must be done before fittings are installed. Failure to do so voids the warranty.
Follow cleaning instructions and avoid using any harmful chemicals.
All information is for reference only. Installation shall always be based on the specs provided with actual delivered items.
For more info, visit www.sanitecph.com