



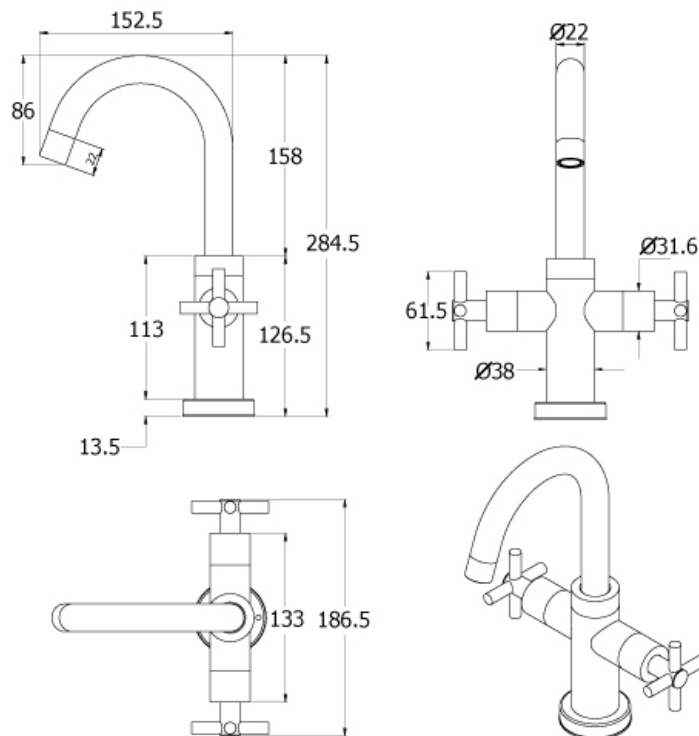
Brand : VRH, Thailand  
 Name : SMOOTH 2 Handled Basin mixer with LA101LS push type pop up  
 Item Code : B2002D6  
 Designer :  
 Color / Finish: 304 Stainless Steel  
 Dimensions : 152.5mm x 186.5mm x 284.5mm

**Product info:**

- Single hole 2-handle basin mixer
- With LA101LS push-open pop-up waste
- Flow pressure: 1~5 bar (15~70 psi)

**Add-ons:**

- 1x angle valve ½"x½" (no nuts)
- 1x flexible supply hose ½"x½" x?cm
- 1x basin waste strainer or pop-up
- 1x basin waste trap



Flushing of pipe must be done before fittings are installed. Failure to do so voids the warranty.

Follow cleaning instructions and avoid using any harmful chemicals.

All information is for reference only. Installation shall always be based on the specs provided with actual delivered items.

For more info, visit [www.sanitecph.com](http://www.sanitecph.com)