



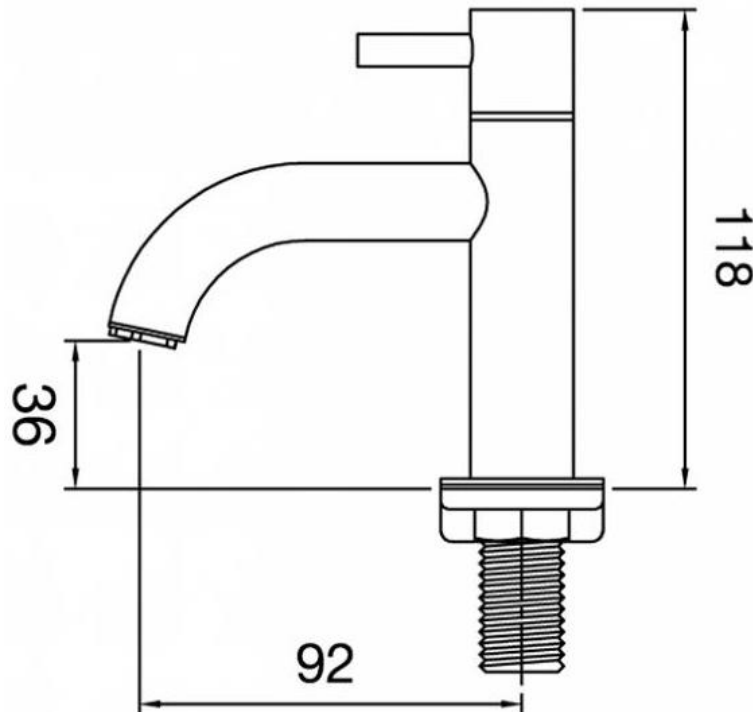
Brand : VRH, Thailand  
 Name : BONNY Basin pillar tap (cold water only)  
 Item Code : B2000K3  
 Designer :  
 Color / Finish: 304 Stainless Steel  
 Dimensions : 118 mm height  
 92 mm spout projection

**Product info:**

- Basin pillar tap ½"
- For cold water and pre-mixed water

**Add-ons:**

- 1x angle valve ½"x½" (no nuts)
- 1x flexible supply hose ½"x½" x?cm
- 1x basin waste strainer or pop-up
- 1x basin waste trap



Flushing of pipe must be done before fittings are installed. Failure to do so voids the warranty.

Follow cleaning instructions and avoid using any harmful chemicals.

All information is for reference only. Installation shall always be based on the specs provided with actual delivered items.

For more info, visit [www.sanitecph.com](http://www.sanitecph.com)