



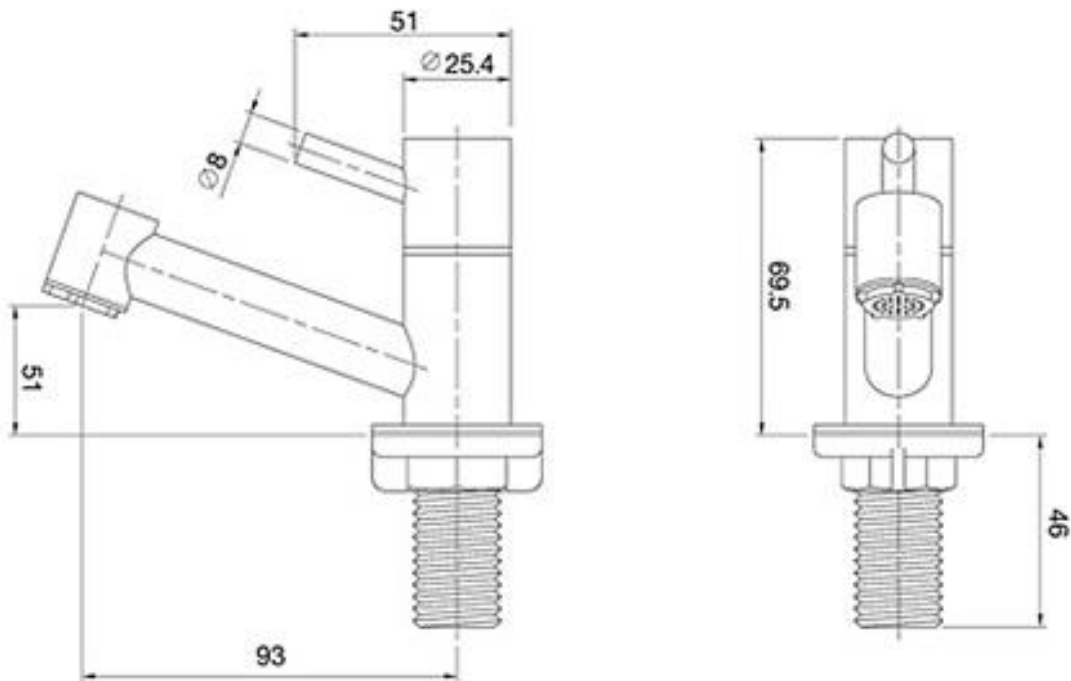
Brand : VRH, Thailand
 Name : BONNY Basin pillar tap (cold water only)requires ½
 Item Code : B2000K2
 Designer :
 Color / Finish: 304 Stainless Steel
 Dimensions : 69.5 mm height
 93 mm spout projection

Product info:

- Basin pillar tap ½"
- For cold water and pre-mixed water

Add-ons:

- 1x angle valve ½"x½" (no nuts)
- 1x flexible supply hose ½"x½" x?cm
- 1x basin waste strainer or pop-up
- 1x basin waste trap



Flushing of pipe must be done before fittings are installed. Failure to do so voids the warranty.

Follow cleaning instructions and avoid using any harmful chemicals.

All information is for reference only. Installation shall always be based on the specs provided with actual delivered items.

For more info, visit www.sanitecph.com