



Brand : TCK, China
 Name : Infra-red cold-water sensor tap
 Item Code : 201LT49S AC/DC

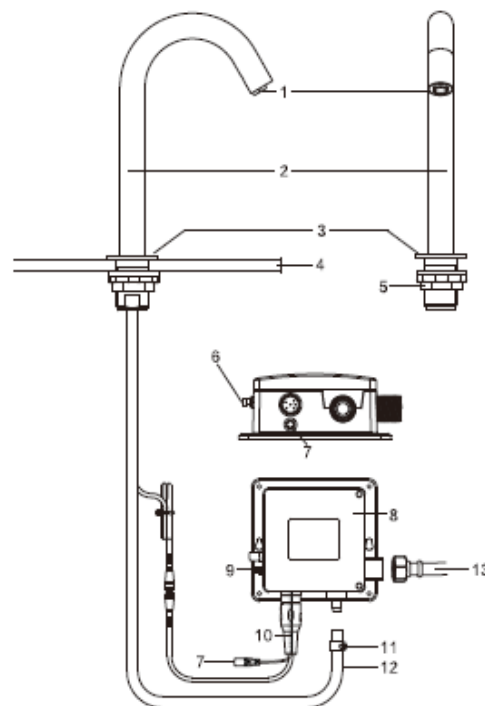
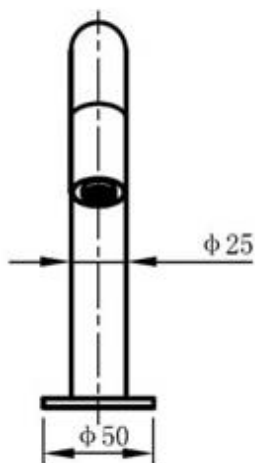
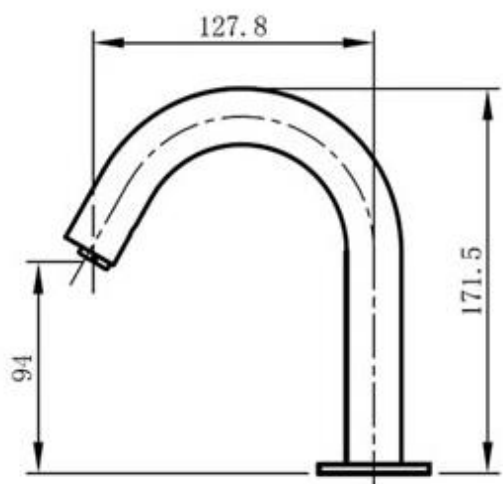
Designer :
 Color / Finish: Chrome
 Dimensions : 171.5 mm Height
 127.5 mm Spout Projection

Product info:

- Infra-red sensor basin cold water tap
- With sensor on water outlet
- Power Supply: AC230V/DC 6V
- Flow rate: 7 l/min. at 3 bar
- Flow pressure: 1~5 bar (15~70 psi)

Add-ons:

- 1x angle valve ½"x½" with filter
- 1x basin waste strainer or pop-up
- 1x basin waste trap



Flushing of pipe must be done before fittings are installed. Failure to do so voids the warranty.

Follow cleaning instructions and avoid using any harmful chemicals.

All information is for reference only. Installation shall always be based on the specs provided with actual delivered items.

For more info, visit www.sanitecph.com