



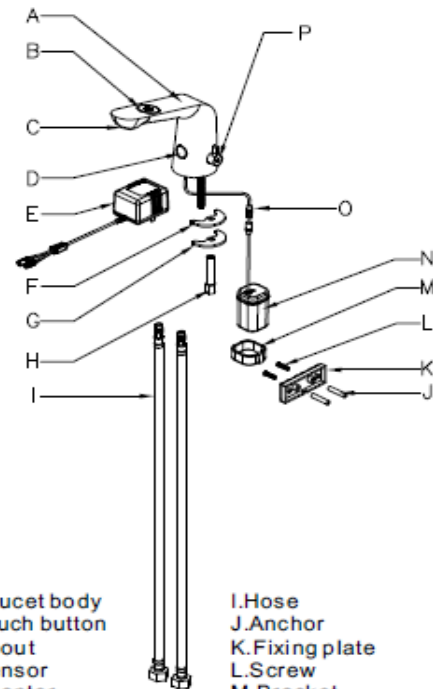
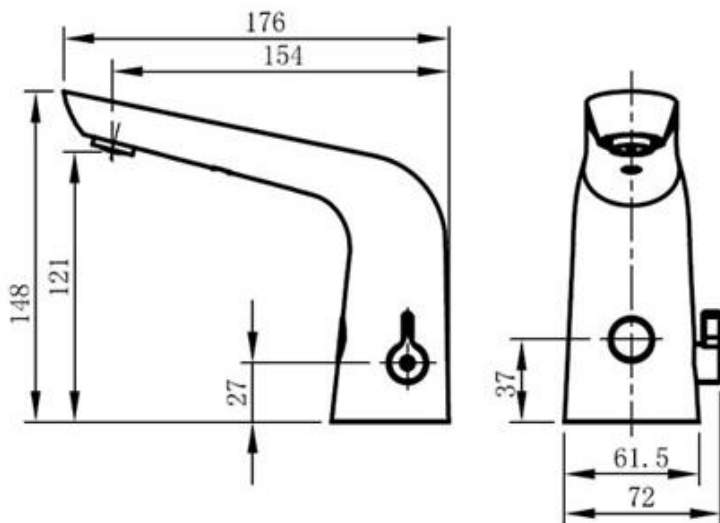
Brand : TCK, China
 Name : Infra-red sensor mixer
 Item Code : 201LT21 DC
 Designer :
 Color / Finish: Chrome
 Dimensions : 159 mm H. x 164 mm spout projection

Product info:

- Infra-red sensor basin water mixer
- With temperature adjustable knob
- With TOUCH on/off for continuous flow
- Power Supply: DC 6V
- Flow rate: 7 l/min. at 3 bar
- Flow pressure: 1~5 bar (15~70 psi)

Add-ons:

- 2x angle valve ½"x½" with filter
- 1x basin waste strainer or pop-up
- 1x basin waste trap



A. Faucet body
 B. Touch button
 C. Spout
 D. Sensor
 E. Adaptor
 F. Rubber gasket
 G. SS gasket
 H. Nut

I. Hose
 J. Anchor
 K. Fixing plate
 L. Screw
 M. Bracket
 N. Battery case
 O. Power cable
 P. Temperature control handle

Flushing of pipe must be done before fittings are installed. Failure to do so voids the warranty.

Follow cleaning instructions and avoid using any harmful chemicals.

All information is for reference only. Installation shall always be based on the specs provided with actual delivered items.

For more info, visit www.sanitecph.com