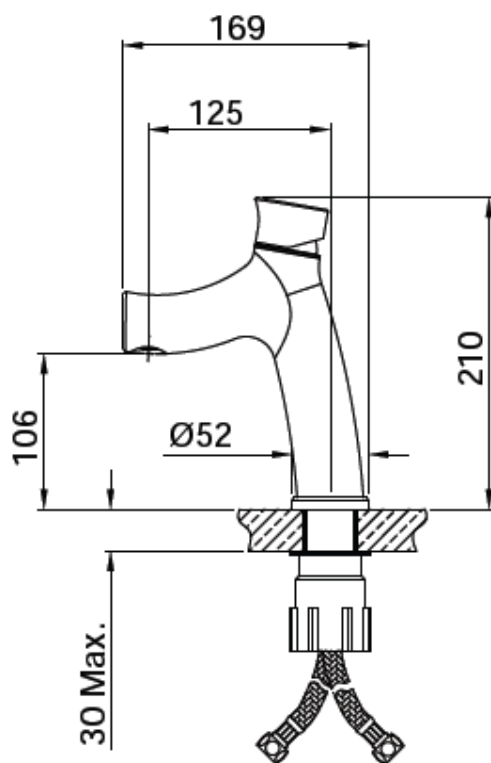




Brand : Primy, China  
Name : Washing machine tap  
Item Code : PF1011  
Designer :  
Color / Finish: 304 Stainless Steel  
Dimensions : 169mm length, 210mm height  
125mm spout projection

Product info:

- Washing Machine tap
- 2x angle valve ½"x½" (with nuts)
- 1x basin waste trap



Flushing of pipe must be done before fittings are installed. Failure to do so voids the warranty.

Follow cleaning instructions and avoid using any harmful chemicals.

All information is for reference only. Installation shall always be based on the specs provided with actual delivered items.

For more info, visit [www.sanitecph.com](http://www.sanitecph.com)