

Brand : Primy, China
 Name : STANDARD 2B.1D Inset sink
 Item Code : 2108SR

Designer :

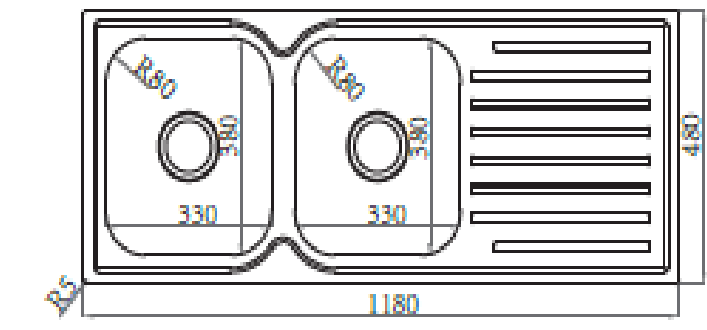
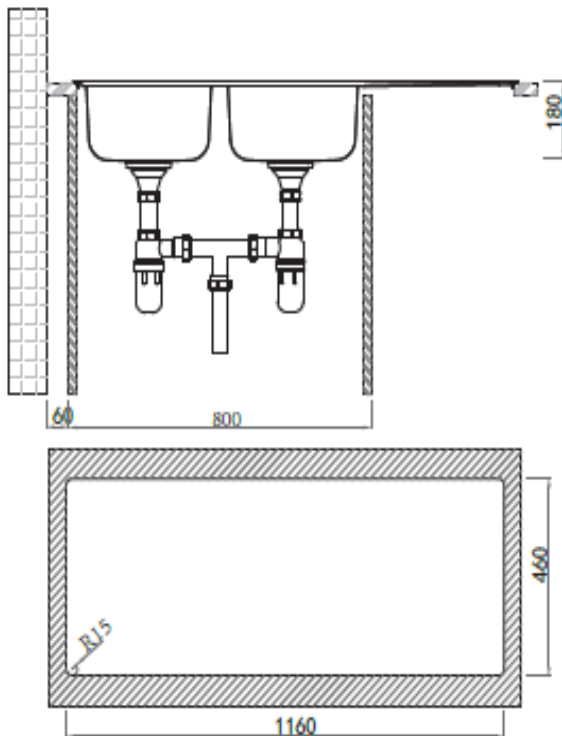
Color / Finish: Brushed Finish
 Dimensions : Size: 1180 x 480 x 180 mm
 Bowl Size : 330 x 380 mm

Product info:

- Inset sink
- With center tap hole
- Overflow
- A3A Waste basket strainer 3½" x2

Add-ons:

- PM2 Single sink bottle trap 1½"



Flushing of pipe must be done before fittings are installed. Failure to do so voids the warranty.

Follow cleaning instructions and avoid using any harmful chemicals.

All information is for reference only. Installation shall always be based on the specs provided with actual delivered items.

For more info, visit www.sanitecph.com