

Brand : Primy, China  
 Name : STANDARD 2B Inset sink  
 Item Code : 2016S

Designer :

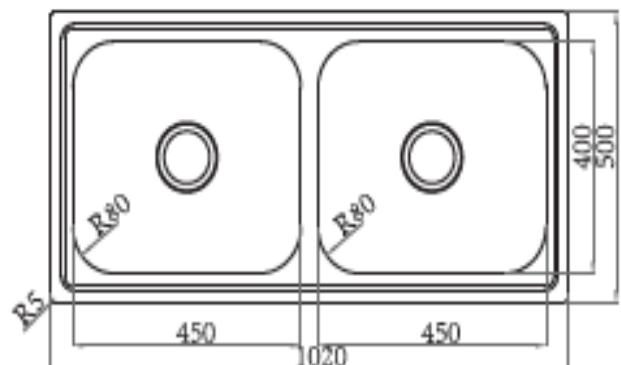
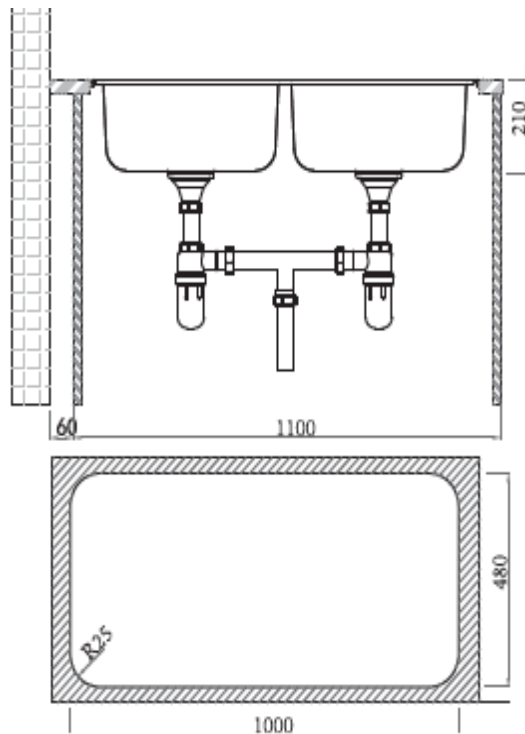
Color / Finish: Brushed Finish  
 Dimensions : Size: 1020 x 500 x 210 mm  
 Bowl Size : (2)450 x 400 mm

**Product info:**

- Double Bowl inset sink
- With Overflow
- Center tap hole
- 0.8 mm thickness
- A3A Waste basket strainer 3½"

**Add-ons:**

- PM2 Double bottle trap



Flushing of pipe must be done before fittings are installed. Failure to do so voids the warranty.

Follow cleaning instructions and avoid using any harmful chemicals.

All information is for reference only. Installation shall always be based on the specs provided with actual delivered items.

For more info, visit [www.sanitecph.com](http://www.sanitecph.com)