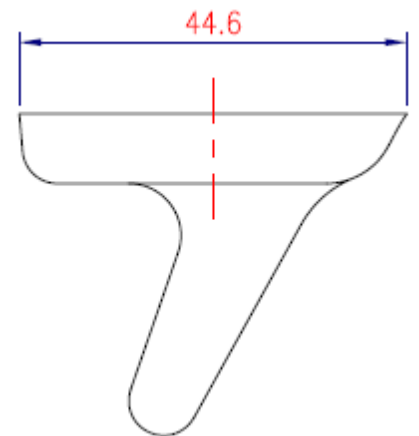
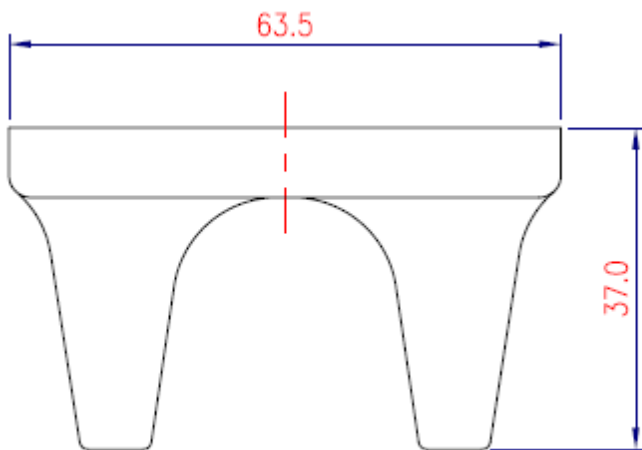




Brand : Lavo, China  
Name : SERIE 300 Double hook  
Item Code : 353.2602  
Designer :  
Color / Finish: Chrome plated  
Dimensions : 37 mm L x 63.5 mm W x 44.6 mm H

Product info:  
• Double hook



Follow cleaning instructions and avoid using any harmful chemicals. Failure to do so voids the warranty.

All information is for reference only. Installation shall always be based on the specs provided with actual delivered items.  
For more info, visit [www.sanitecph.com](http://www.sanitecph.com)