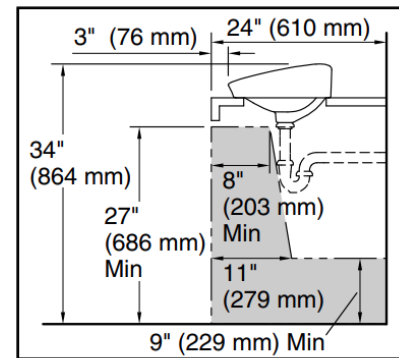
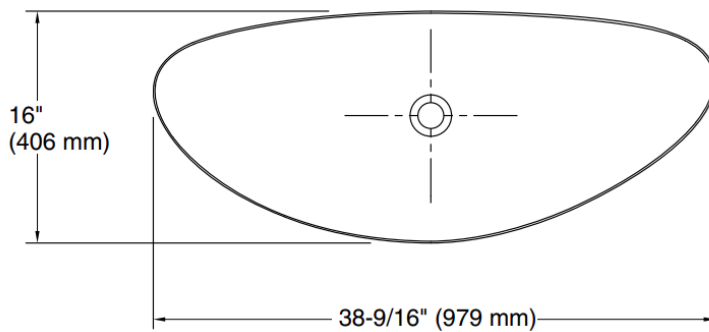


Brand : KOHLER  
 Name : VEIL Vessel Lavatory  
 Item Code : K20705N-7  
 Designer :  
 Color / Finish: Black  
 Dimensions : 979 x 219 x 406 mm

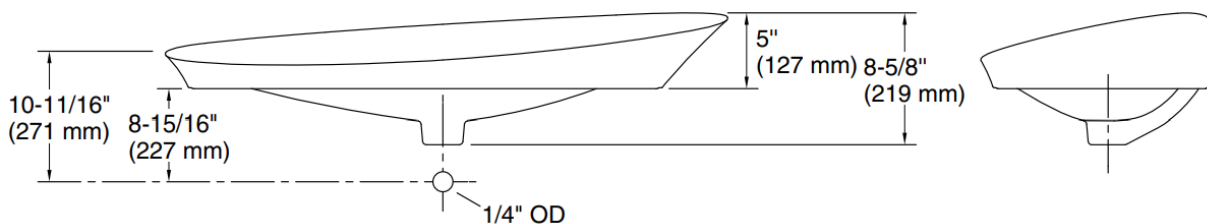


**Product info:**

- Oval vessel bathroom sink, no overflow
- No faucet holes; requires wall- or counter-mount faucet
- Innovative Supramic technology provides superior strength and ultra-thin edge profiles
- Includes color-matched brass drain cover
- Coordinates with other products in the Veil collection



Recommended ADA Installation



Flushing of pipe must be done before fittings are installed. Failure to do so voids the warranty.

Follow cleaning instructions and avoid using any harmful chemicals.

All information is for reference only. Installation shall always be based on the specs provided with actual delivered items.

For more info, visit [www.sanitecph.com](http://www.sanitecph.com)