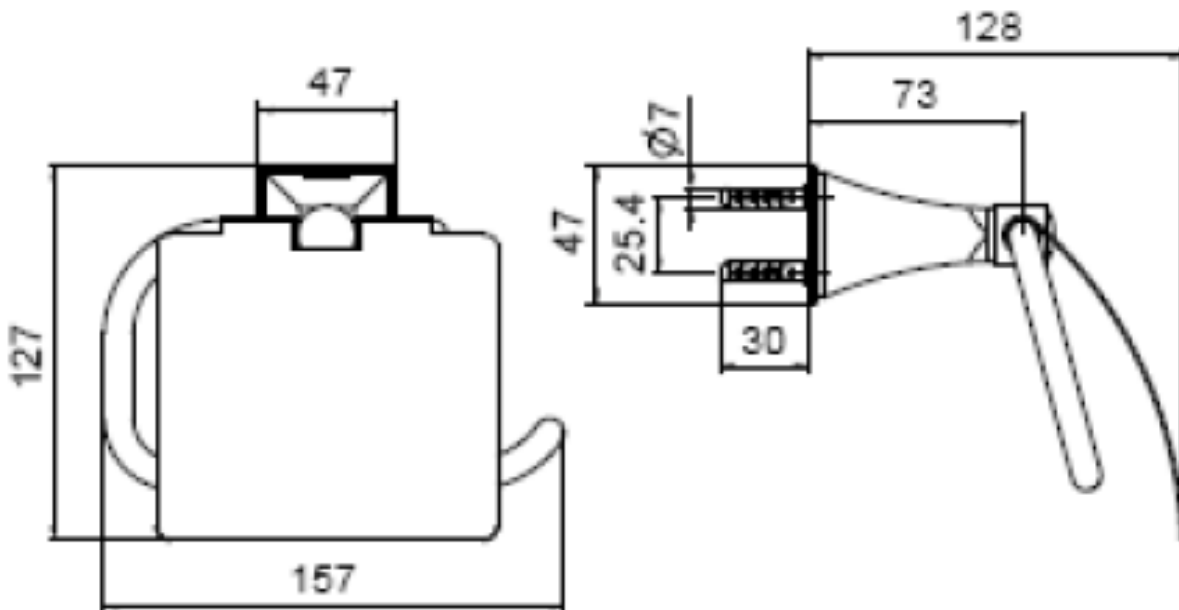




Brand : KOHLER
Name : MEMOIRS Tissue roll holder with cover
Item Code : K37352T-AF
Designer :
Color / Finish: Polished Chrome
Dimensions : 128 mm x 157 mm x 127 mm

Product info:

- Roll paper holder with lid



Flushing of pipe must be done before fittings are installed. Failure to do so voids the warranty.

Follow cleaning instructions and avoid using any harmful chemicals.

All information is for reference only. Installation shall always be based on the specs provided with actual delivered items.

For more info, visit www.sanitecph.com