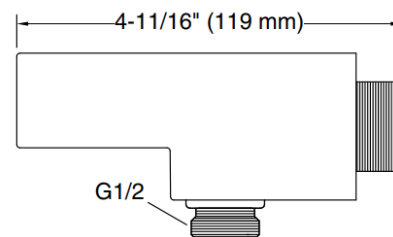
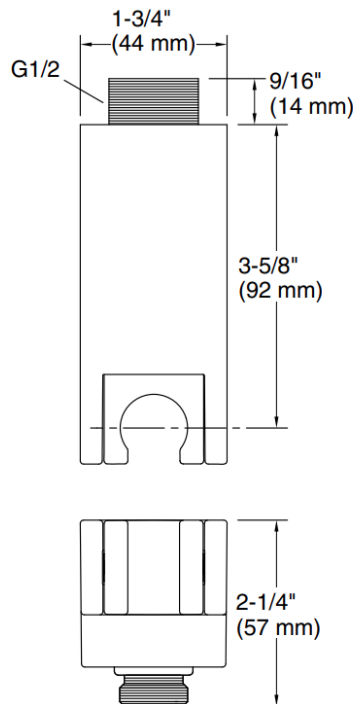




Brand : KOHLER
 Name : STATEMENT Wall Supply W/Bracket
 Item Code : K26310T-BL
 Designer :
 Color / Finish: Matt Black
 Dimensions : 92 x 119 x 57 mm

Product info:

- Handshower holder
- with supply elbow & check valve
- Durable metal construction.
- Wall-mount



Flushing of pipe must be done before fittings are installed. Failure to do so voids the warranty.

Follow cleaning instructions and avoid using any harmful chemicals.

All information is for reference only. Installation shall always be based on the specs provided with actual delivered items.

For more info, visit www.sanitecph.com