



Brand : KALLISTA,USA
 Name : 2 or 3 way rough -in transfer valve
 Item Code : P29513-00-NA

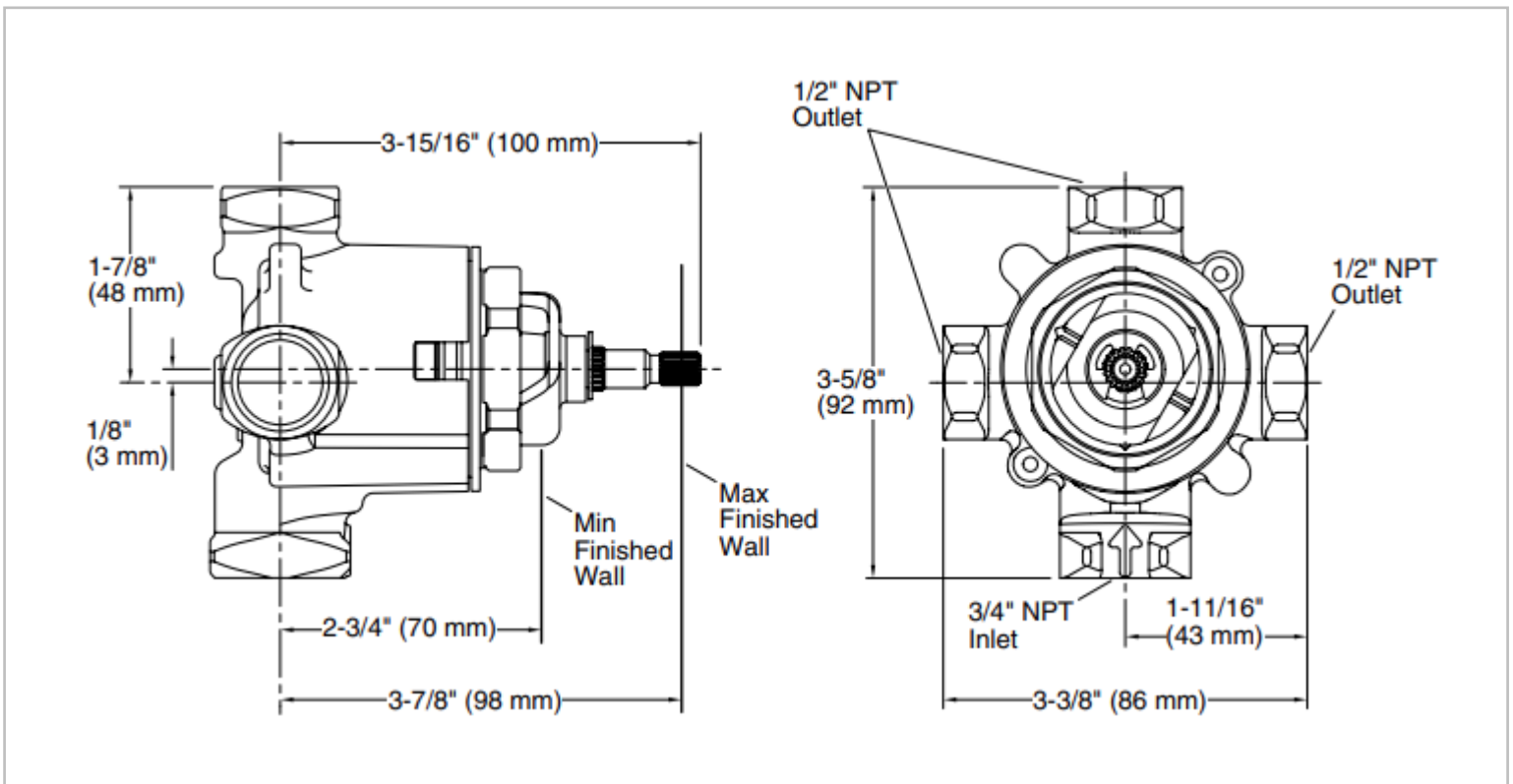
Designer :

Color / Finish: N/A

Dimensions : (See data drawing below for dimensions)

Product info:

- Wall mount toilet actuator



Flushing of pipe must be done before fittings are installed. Failure to do so voids the warranty.

Follow cleaning instructions and avoid using any harmful chemicals.

All information is for reference only. Installation shall always be based on the specs provided with actual delivered items.

For more info, visit www.sanitecph.com