



Brand : KALLISTA  
 Name : Rough -in pressure balance  
 Item Code : P29305-00-NA

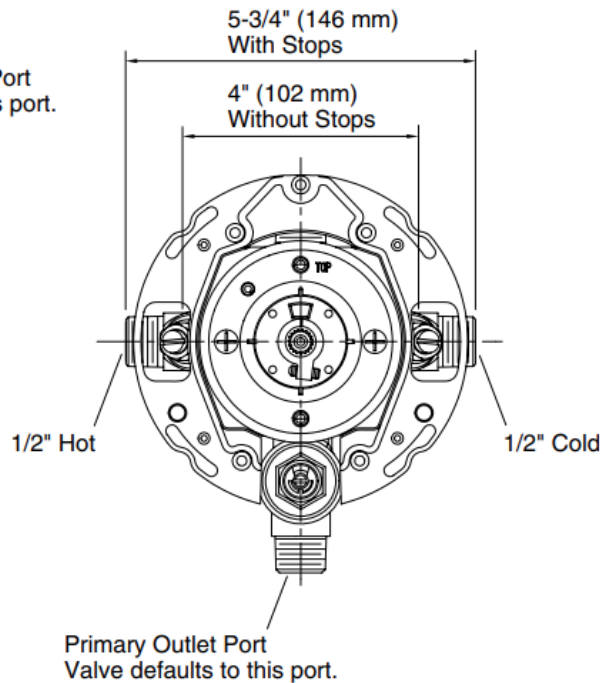
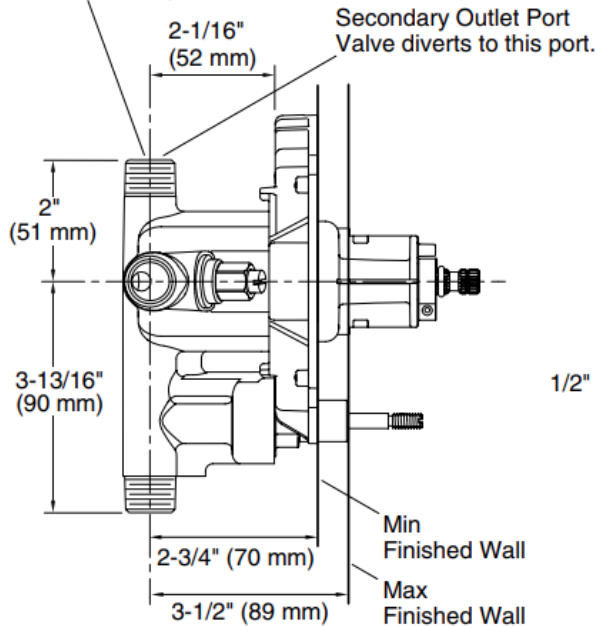
Designer :

Color / Finish: N/A  
 Dimensions : (See data drawing below for dimensions)

**Product info:**

- Rough in pressure balance
- 5.0 gal/min (18.9 l/min) maximum flow rate at 45 psi (310.3 kPa)
- Brass valve body

1/2" - 14 NPT OD 5/8" ID  
 for 1/2" Nom. Copper Tubing  
 (all Inlet & Outlet Ports)



Flushing of pipe must be done before fittings are installed. Failure to do so voids the warranty.

Follow cleaning instructions and avoid using any harmful chemicals.

All information is for reference only. Installation shall always be based on the specs provided with actual delivered items.

For more info, visit [www.sanitecph.com](http://www.sanitecph.com)