



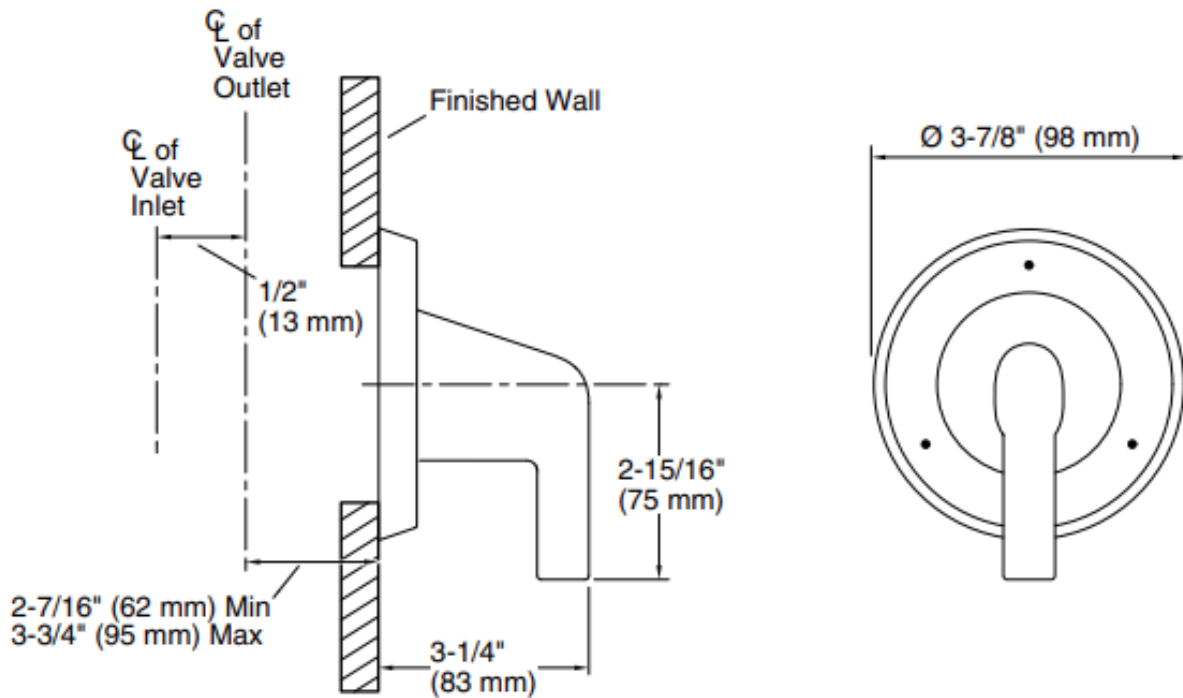
Brand : KALLISTA,USA
Name : Taper transfer trim, lever
Item Code : P24883-LV-GN

Designer :

Color / Finish: Gunmetal
Dimensions : 98 x 75 x 83 mm

Product info:

- Transfer trim
- Lever



Flushing of pipe must be done before fittings are installed. Failure to do so voids the warranty.

Follow cleaning instructions and avoid using any harmful chemicals.

All information is for reference only. Installation shall always be based on the specs provided with actual delivered items.

For more info, visit www.sanitecph.com