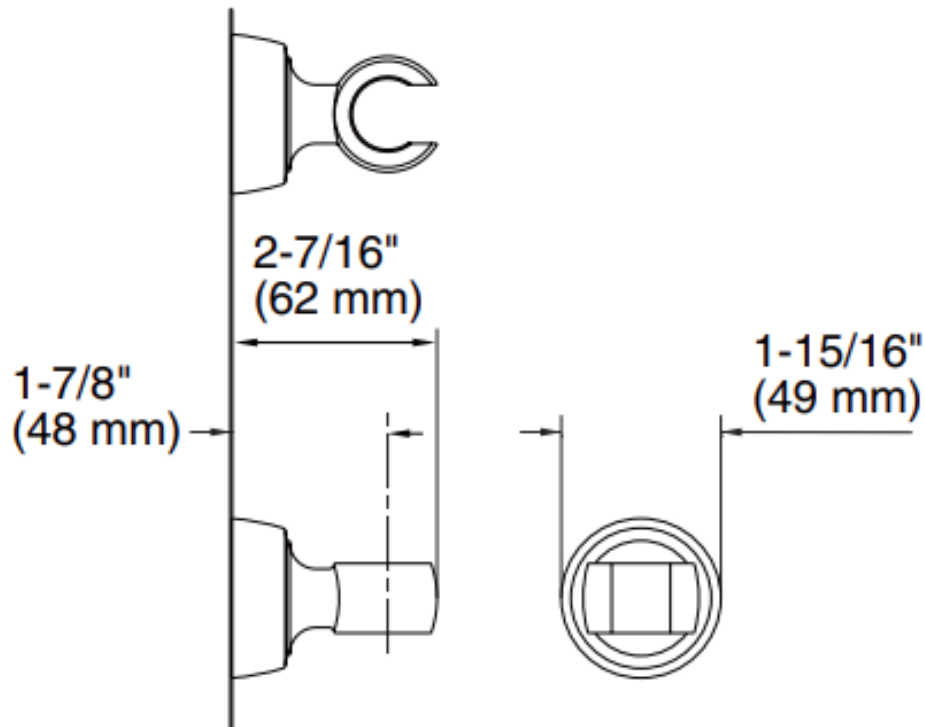




Brand : KALLISTA,USA
Name : Counterpoint Fixed Wall Bracket
Item Code : P23245-00-CP
Designer : Barbara Barry
Color / Finish: Chrome
Dimensions : 49 x 62 mm

Product info:

- Fixed Wall bracket
- Solid brass construction for durability and reliability



Flushing of pipe must be done before fittings are installed. Failure to do so voids the warranty.

Follow cleaning instructions and avoid using any harmful chemicals.

All information is for reference only. Installation shall always be based on the specs provided with actual delivered items.

For more info, visit www.sanitecph.com