



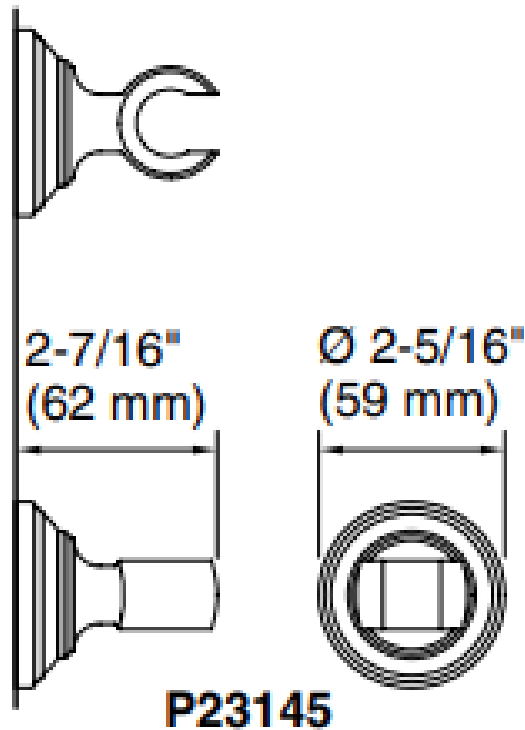
Brand : KALLISTA,USA  
Name : Inigo Fixed Wall Bracket  
Item Code : P23145-00-CP

Designer :

Color / Finish: Polished Chrome  
Dimensions : 62 x 59 mm

**Product info:**

- Fixed Wall Bracket
- Wall bracket is constructed from solid-brass to ensure durability and reliability



Flushing of pipe must be done before fittings are installed. Failure to do so voids the warranty.

Follow cleaning instructions and avoid using any harmful chemicals.

All information is for reference only. Installation shall always be based on the specs provided with actual delivered items.

For more info, visit [www.sanitecph.com](http://www.sanitecph.com)