



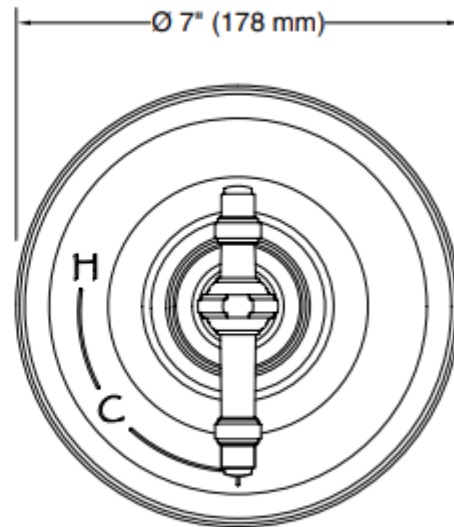
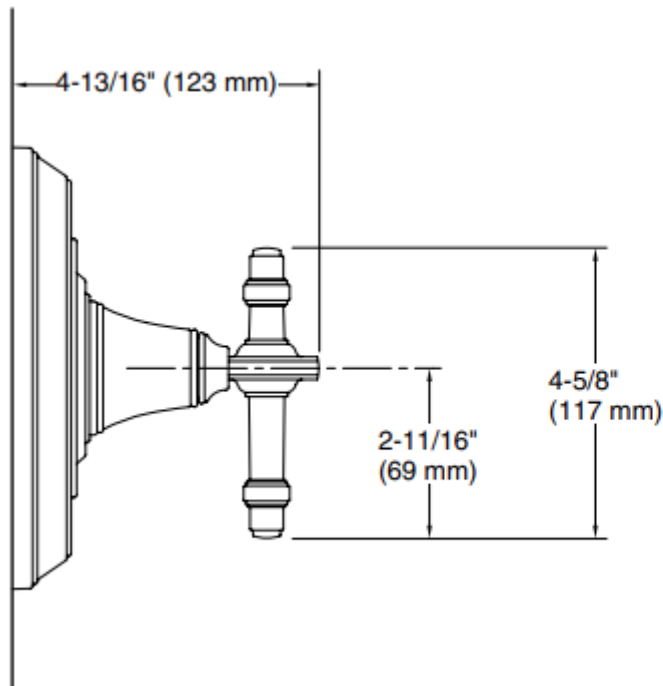
Brand : KALLISTA,USA
Name : Inigo Pressure Handle
Item Code : P23115-LV-CP

Designer :

Color / Finish: Polished Chrome
Dimensions : 178 x 117 x 123 mm

Product info:

- Pressure Balance Valve Trim
- Solid brass construction for durability and reliability
- Pressure-balancing technology maintains water temperature within +/-3 degrees Fahrenheit
- High-temperature limit stop helps eliminate scalding
- Requires Rough in assembly



Flushing of pipe must be done before fittings are installed. Failure to do so voids the warranty.

Follow cleaning instructions and avoid using any harmful chemicals.

All information is for reference only. Installation shall always be based on the specs provided with actual delivered items.

For more info, visit www.sanitecph.com