

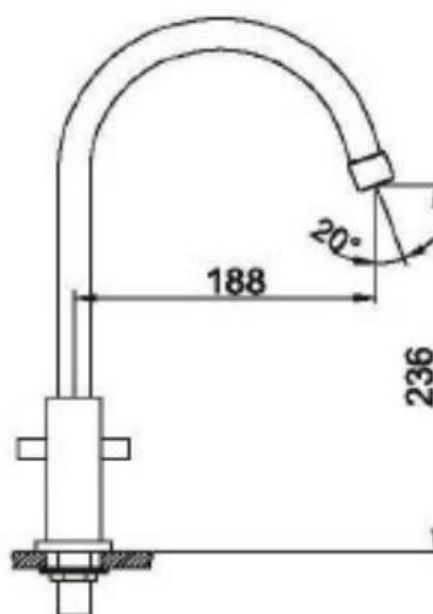
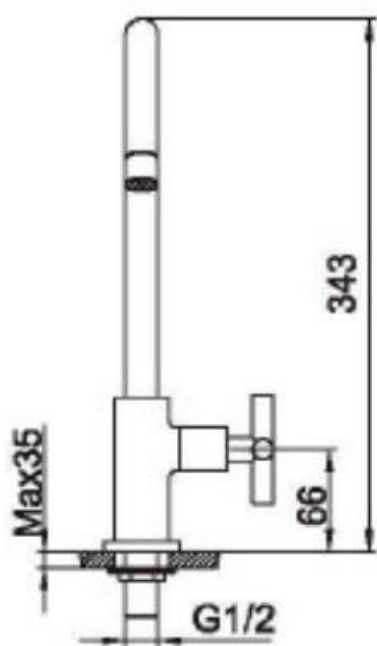


Brand : CAE, China
 Name : AMANDA, Single hole sink tap, cold or pre-mixed water
 Item Code : 03.3512C

Color / Finish: Chrome Plated
 Dimensions : 343 mm height
 188 mm spout projection

Product info:

- Single hole sink tap, cold or pre-mixed water
- Normal Spray
- flow rate: 10.7 lpm at 3 bars (45 psi)
- flow pressure: 0.3Mpa



Flushing of pipe must be done before fittings are installed. Failure to do so voids the warranty.

Follow cleaning instructions and avoid using any harmful chemicals.

All information is for reference only. Installation shall always be based on the specs provided with actual delivered items.

For more info, visit www.sanitecph.com