

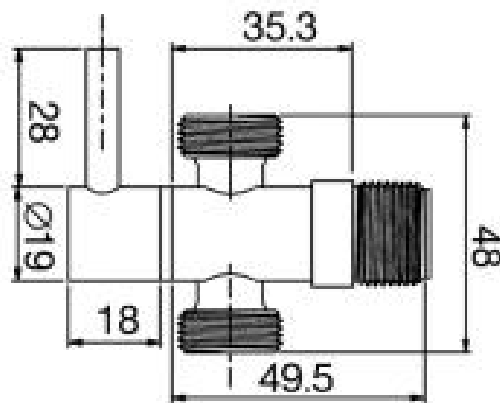


**SPECIFICATION SHEET - fittings**

<b>BRAND:</b>		<b>Product Photo:</b> 
<b>ORIGIN:</b>	Thailand	
<b>SERIES:</b>	<b>BONNY</b>	
<b>PRODUCT DESCRIPTION:</b>	2-Outlet angle valve 1/2"x1/2"x1/2"	
<b>MODEL No.</b>	C9120K2	
<b>FINISH/COLOUR:</b>	304 Stainless steel	
<b>DIMENSIONS:</b>		
<b>OPTIONAL MATCHING PARTS:</b>		

**Technical Informations:**



<b>REMINDER:</b>	Pipe flushing must be done before faucets are installed. Failure to do so voids the warranty.
	Do not use cleaners containing abrasive cleansers, ammonia, bleach, acids, waxes, alcohol, solvents or other products not recommended for chrome.
	All information is for reference only, installation shall always be based on the actual product delivered.