
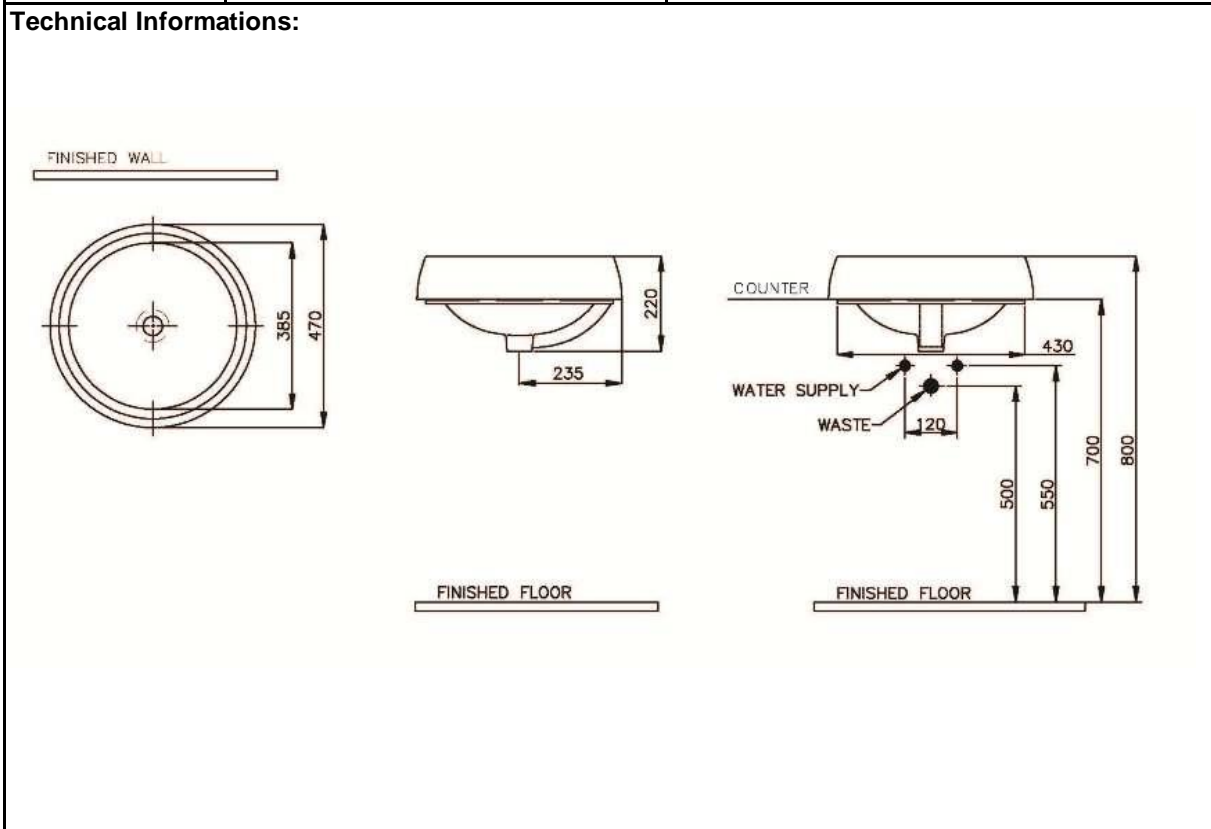


SPECIFICATION SHEET - sanitarywares

BRAND:	nahm	Product Photo: 
ORIGIN:	THAILAND	
SERIES:	NUR ROUND	
PRODUCT DESCRIPTION:	Countertop washbasin, No tap hole, with overflow	
MODEL No.	NM.5701	
FINISH/COLOUR:	WHITE	
DIMENSIONS:	470 dia x 220mm	
OPTIONAL MATCHING PARTS:	mixer/faucet angle valve(s) flexible supply hose(s) waste strainer trap with wall tube min.350mm	



REMINDER:	Pipe flushing must be done before faucets are installed. Failure to do so voids the warranty.
	Do not use cleaners containing abrasive cleansers, ammonia, bleach, acids, waxes, alcohol, solvents or other products not recommended for chrome.
	All information is for reference only, installation shall always be based on the actual product delivered.