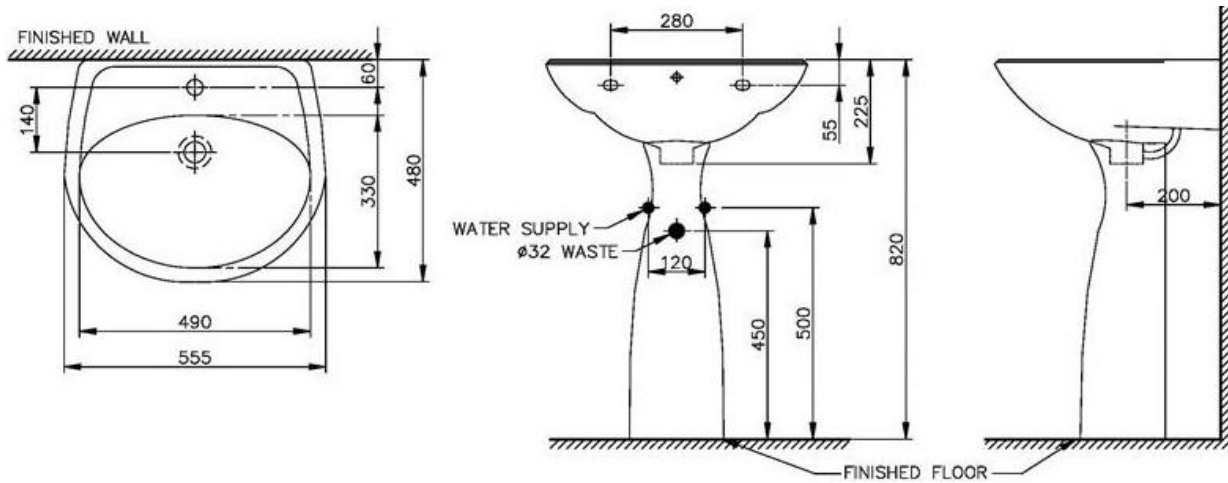


SPECIFICATION SHEET - sanitarywares

BRAND:	nahm	Product Photo: 
ORIGIN:	THAILAND	
SERIES:	DERBY	
PRODUCT DESCRIPTION:	Wall hung washbasin, with tap hole, with overflow	
MODEL No.	NM.5106-SS	
FINISH/COLOUR:	WHITE	
DIMENSIONS:	555 x 480 x 225mm	
OPTIONAL MATCHING PARTS:	mixer/faucet angle valve(s) flexible supply hose(s) waste strainer trap with wall tube min.350mm	

Technical Informations:



***siphon cover not included**

REMINDER:	Pipe flushing must be done before faucets are installed. Failure to do so voids the warranty.
	Do not use cleaners containing abrasive cleansers, ammonia, bleach, acids, waxes, alcohol, solvents or other products not recommended for chrome.
	All information is for reference only, installation shall always be based on the actual product delivered.

