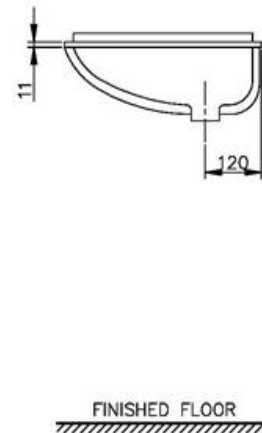
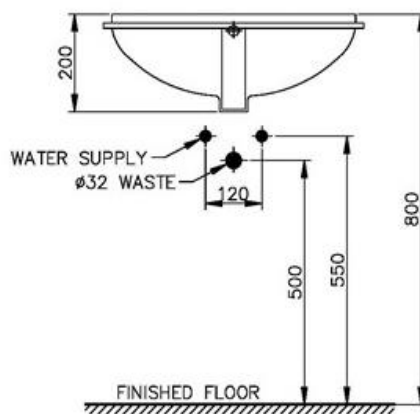
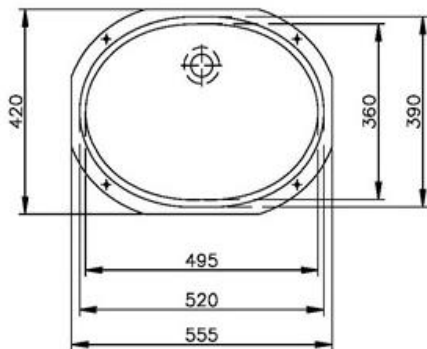


**SPECIFICATION SHEET - sanitarywares**

<b>BRAND:</b>	<b>nahm</b>	<b>Product Photo:</b> 
<b>ORIGIN:</b>	THAILAND	
<b>SERIES:</b>	OVAL	
<b>PRODUCT DESCRIPTION:</b>	Undercounter washbasin, with: no tap hole,	
<b>MODEL No.</b>	NM.5053	
<b>FINISH/COLOUR:</b>	WHITE	
<b>DIMENSIONS:</b>	555 x 420 x 200mm	
<b>OPTIONAL MATCHING PARTS:</b>	mixer/faucet angle valve(s) flexible supply hose(s) waste strainer trap with wall tube min.350mm	

**Technical Informations:**



<b>REMINDER:</b>	Standard procedure of flushing pipe line must be done before connecting to the toilet, physical damages of not flushing pipeline are not within the warranty.
	Do not use abrasive or aggressive cleaners and or contain chlorine or hydrochloric acid solution for cleaning.
	All information stated above are solely for reference only, and should be based on the actual submission sample. Dimensions and specifications are subject to change without prior notice.