
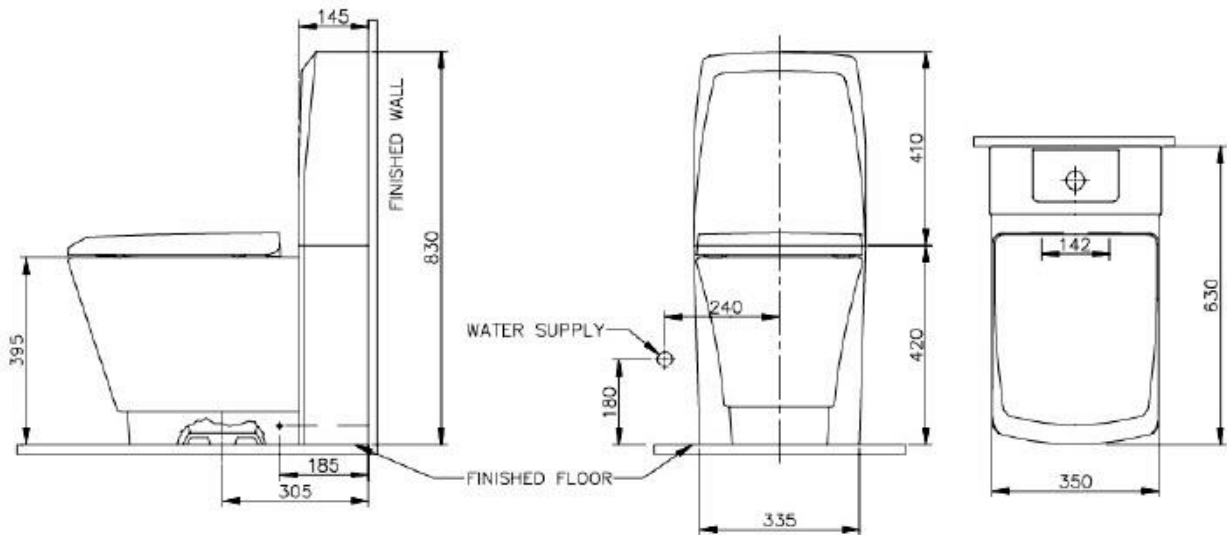


SPECIFICATION SHEET - sanitarywares

BRAND:	nahm	Product Photo: 
ORIGIN:	THAILAND	
SERIES:	NOW	
PRODUCT DESCRIPTION:	<p>Closed-coupled washdown toilet set, with:</p> <ul style="list-style-type: none"> • washdown S-trap roughing in 305mm • top button flush 3/6 lpf • soft-close seat and cover • min.operating pressure 1-5 bar (15-70 psi) • flexible supply hose 1/2" x 1/2" x 300 mm • angle valve 1/2" x 1/2" • wax seal 	
MODEL No.	NM.2830-830	
FINISH/COLOUR:	WHITE	
DIMENSIONS:	335W x 630D x830H mm	
OPTIONAL MATCHING PARTS:	<ul style="list-style-type: none"> • angle valve 1/2" x 1/2" • floor flange 	

Technical Informations:



REMINDER:	Pipe flushing must be done before faucets are installed. Failure to do so voids the warranty.
	Do not use cleaners containing abrasive cleansers, ammonia, bleach, acids, waxes, alcohol, solvents or other products not recommended for chrome.
	All information is for reference only, installation shall always be based on the actual product delivered.