
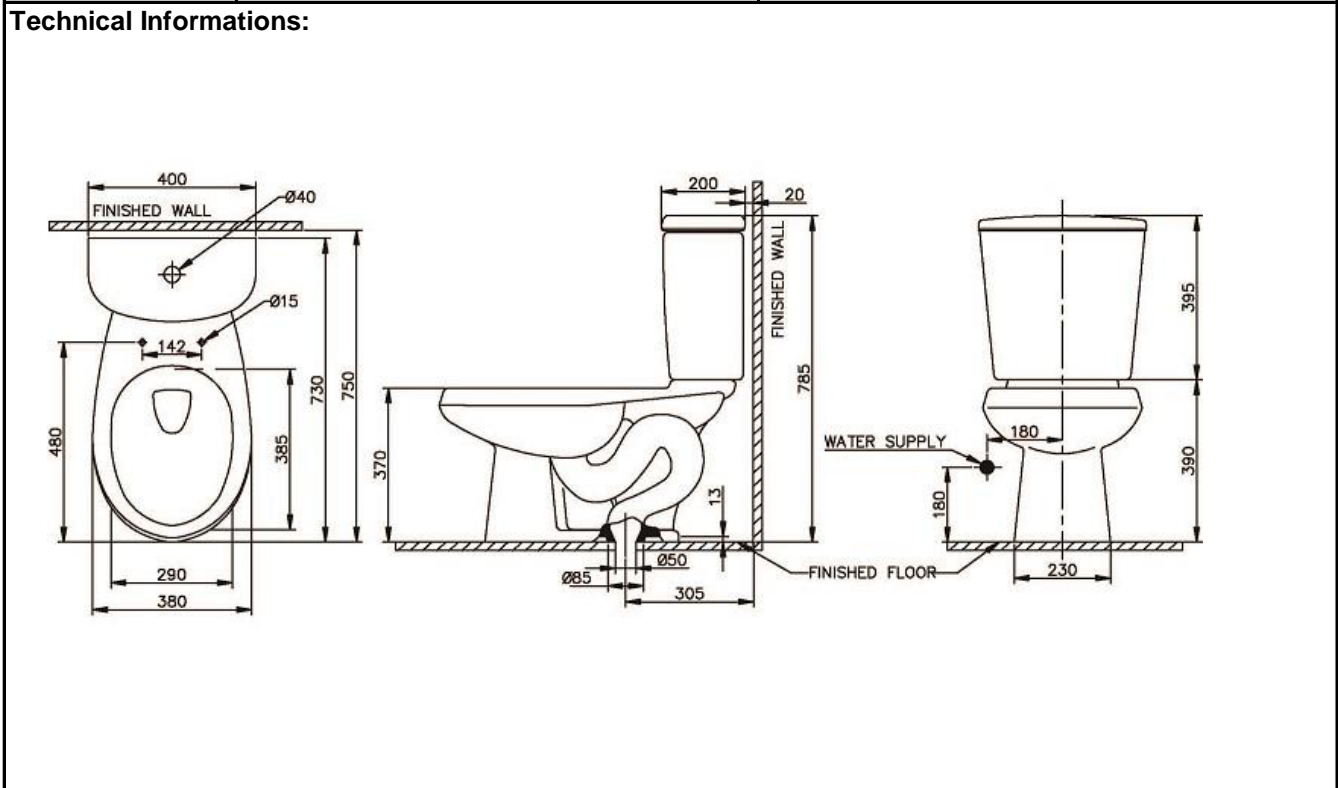


SPECIFICATION SHEET - sanitarywares

BRAND:	nahm	Product Photo: 
ORIGIN:	THAILAND	
SERIES:	LUGANO	
PRODUCT DESCRIPTION:	<p>Closed-coupled siphonic toilet set, with:</p> <ul style="list-style-type: none"> • elongated S-trap roughing in 305mm • top button flush 6 lpf • soft close seat and cover • min.operating pressure 1-5 bar (15-70 psi) • flexible supply hose ½" x ½" x 300 mm 	
MODEL No.	NM.2280-400	
FINISH/COLOUR:	WHITE	
DIMENSIONS:	400W x 730D x 785H mm	
OPTIONAL MATCHING PARTS:	<ul style="list-style-type: none"> • angle valve ½" x ½" • floor flange 	



REMINDER:	<p>Pipe flushing must be done before faucets are installed. Failure to do so voids the warranty.</p> <p>Do not use cleaners containing abrasive cleansers, ammonia, bleach, acids, waxes, alcohol, solvents or other products not recommended for chrome.</p> <p>All information is for reference only, installation shall always be based on the actual product delivered.</p>
------------------	---