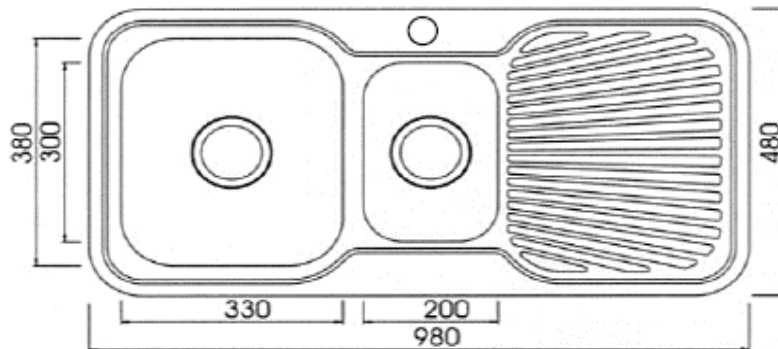


SPECIFICATION SHEET - kitchen sinks

BRAND:		Product Photo: 
ORIGIN:	China	
SERIES:	STAINLESS STEEL SINKS	
PRODUCT DESCRIPTION:	Inlay kitchen sink 1.5 bowl with LH drainboard, 1 tap hole. 980 x 480 x 170mm with: DLA1 waste x2 DLPA2 bottle trap 2bowl	
MODEL No.	3365S-L	
FINISH/COLOUR:	Stainless steel	
DIMENSIONS:	(L x W): 480 x 980mm	
OPTIONAL MATCHING PARTS:		

Technical Informations:



REMINDER:	Do not use cleaners containing abrasive cleansers, ammonia, bleach, acids, waxes, alcohol, solvents or other products not recommended for chrome. All information is for reference only, installation shall always be based on the actual product delivered.
------------------	---