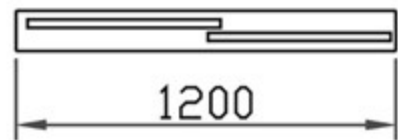
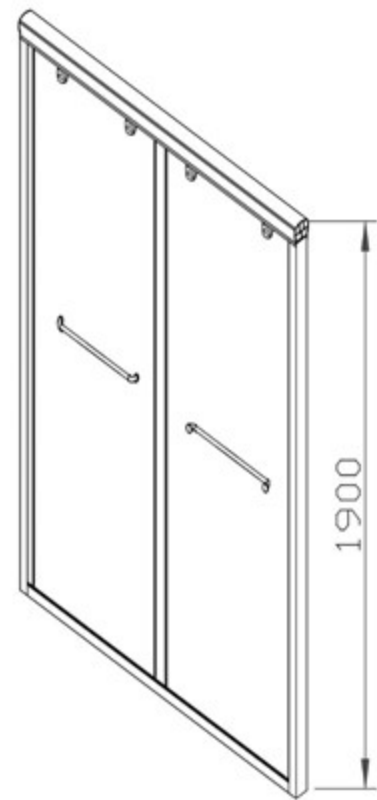




SNDM0507
SHOWER ENCLOSURE



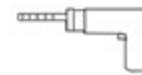
Installation Instruction of SNDM0507-08

Dear sir and madam,
Thank you for using our relaxed sanitary products. Please read this instruction completely before you install the product to ensure you can install our products faster and safer.

Preparations for installation:

Please read this manual carefully after unpacking, verify whether the steam shower room is damaged by transportation, check the accessory according to the packing list. Please inform the local agency if you have any problem or enquiry, you will get a satisfied reply.

Tools for installation:



Rotary hammer drill
with 6mm bit



Cross-point
screw driver



Tape



Sealant



Square



Sealant gun



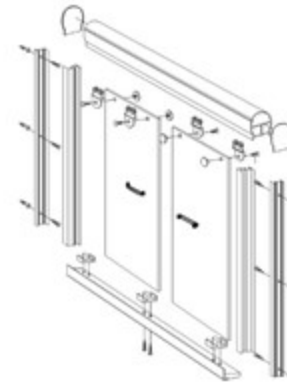
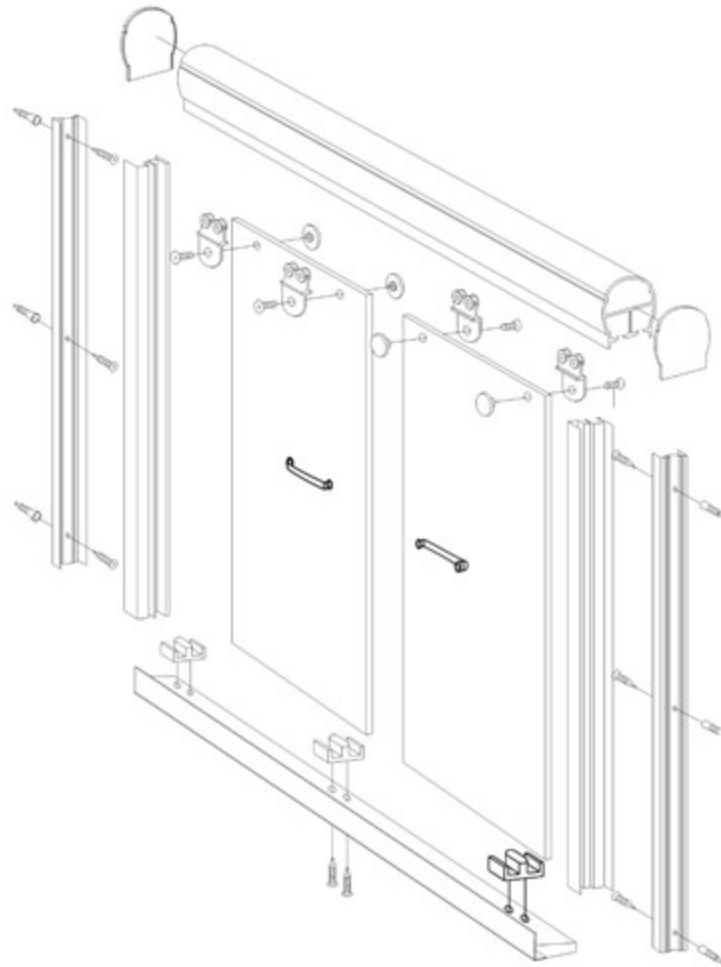
Plastic hammer



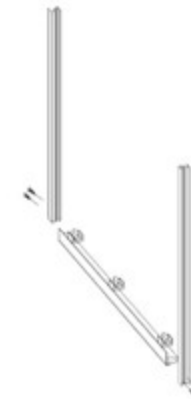
Pencil

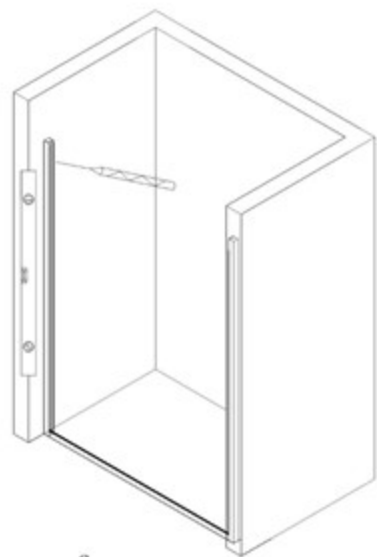


Gradienter

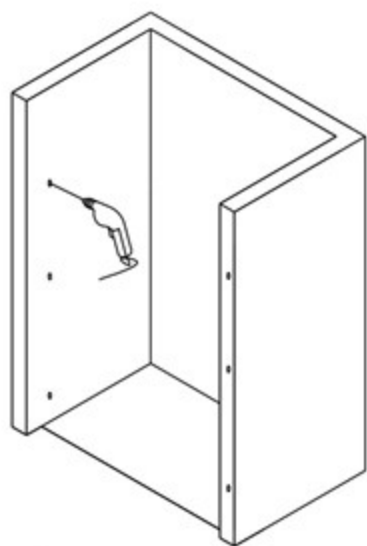


Exploding drawing

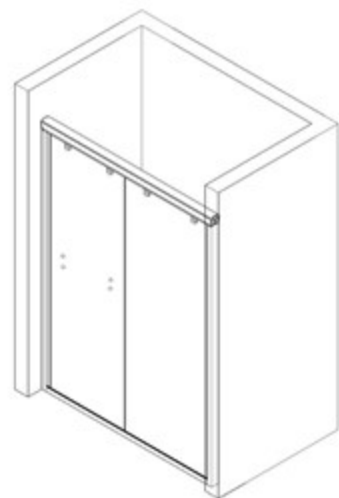




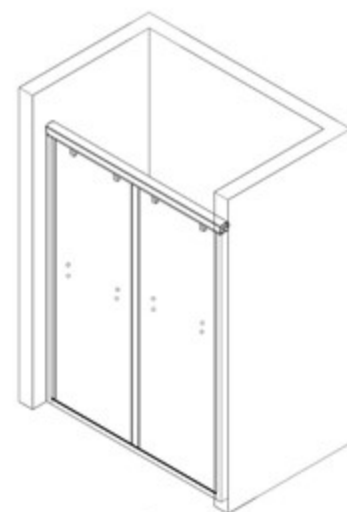
2.



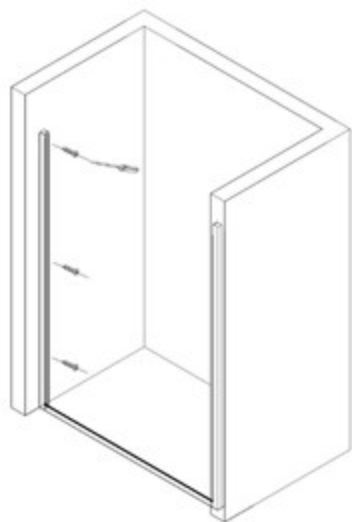
3.



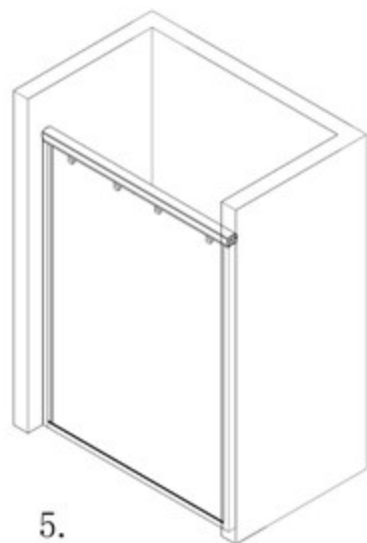
6.



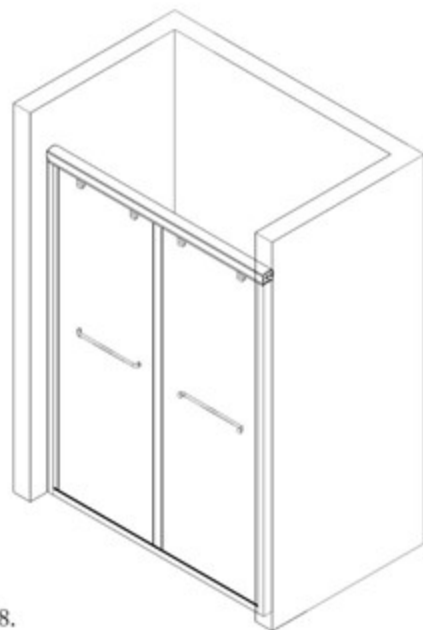
7.



4.



5.



8.