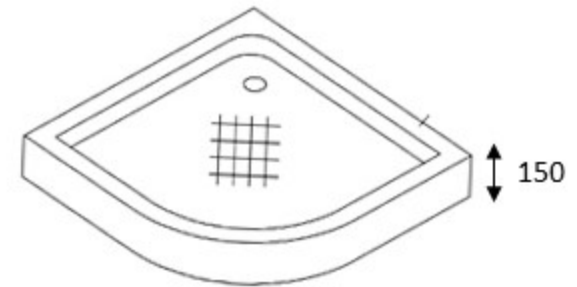
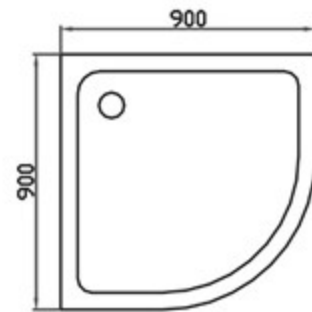
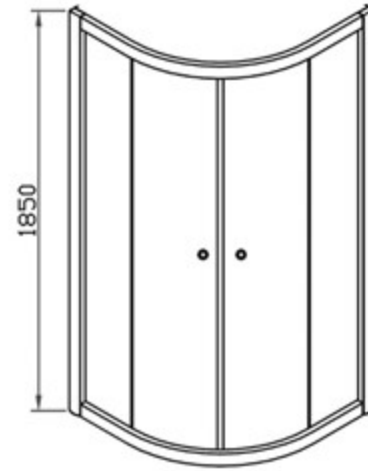




L6149  
SHOWER ENCLOSURE



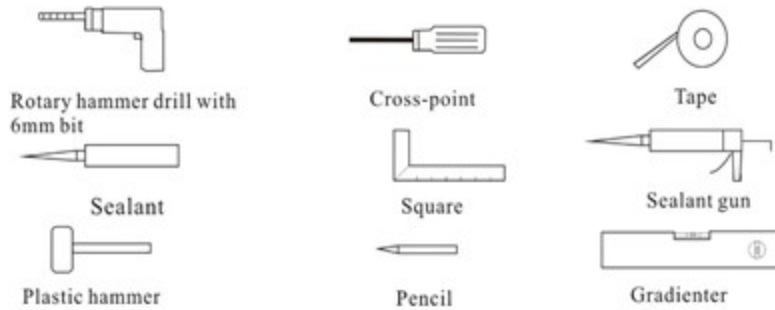
## Installation Instruction of L6149

Dear sir and madam,  
Thank you for using our relaxed sanitary products. Please read this instruction completely before you install the product to ensure you can install our products faster and safer.

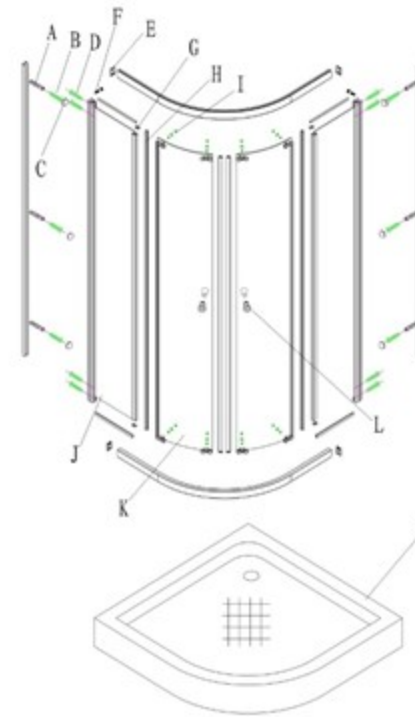
### Preparations for installation:

Please read this manual carefully after unpacking, verify whether the steam shower room is damaged by transportation, check the accessory according to the packing list. Please inform the local agency if you have any problem or enquiry, you will get a satisfied reply.

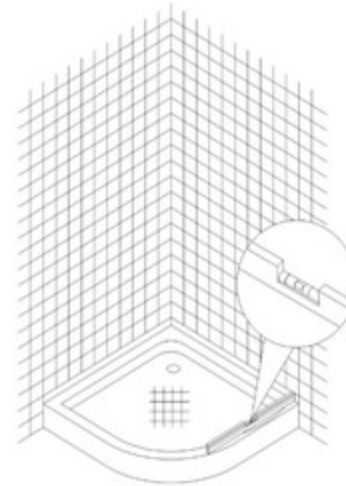
### Tools for installation:



|   | Name                     | Qty   |   | Name               | Qty  |
|---|--------------------------|-------|---|--------------------|------|
| A | Expansion plastic        | 6pcs  | H | Waterproof plastic | 2pcs |
| B | Screw 4*35               | 6pcs  | I | Wheel 23*6         | 8pcs |
| C | Screw cover              | 10pcs | J | Fixed glass        | 2pcs |
| D | Self-drill screw 4*25    | 8pcs  | K | Movable glass      | 2pcs |
| E | Decorating cover         | 4pcs  | L | Handle             | 2pcs |
| F | Self-drilling screw 4*10 | 4pcs  | M | Acrylic base       | 1pc  |
| G | Cover                    | 4pcs  |   |                    |      |



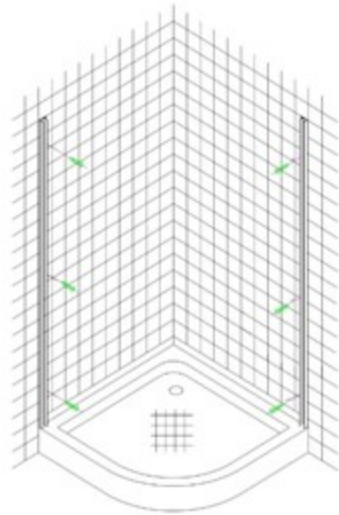
Direction:



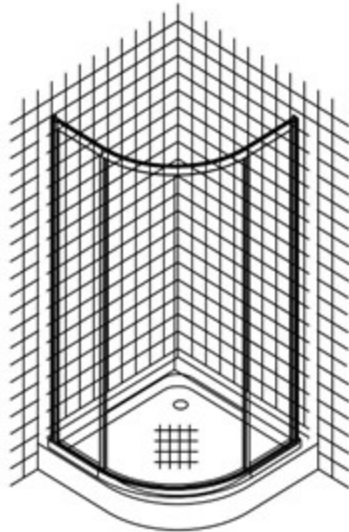
1. Level the base



2. Install the fixed doors ( please pay attention to install the waterproof plastic and the cover E)

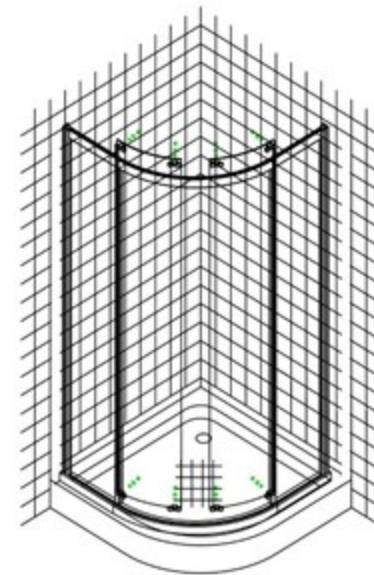


3. Fix the profile against the wall.

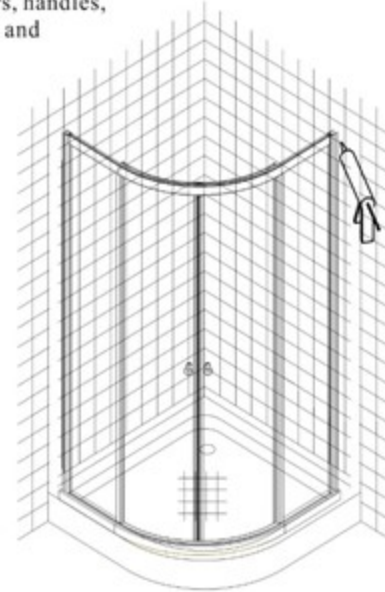
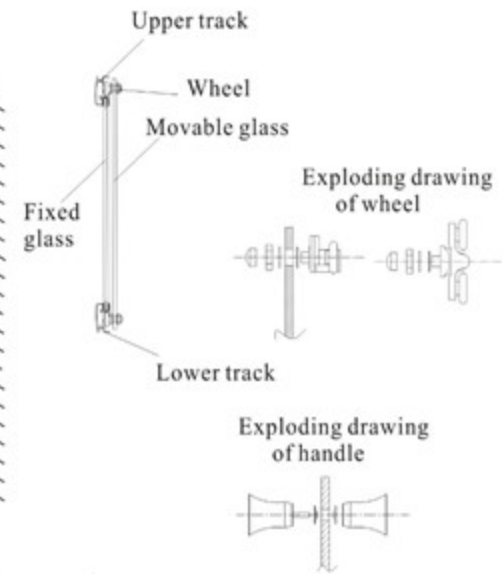


4. Insert the glass into the profile.

3



5. Install the movable doors, handles, waterproof plastic, wheels and



6. Finally, apply sealant please.

4