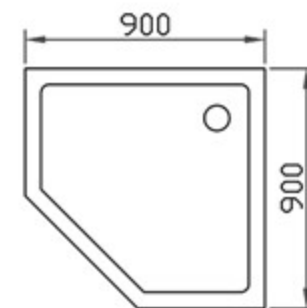
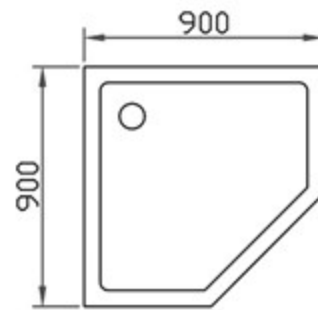
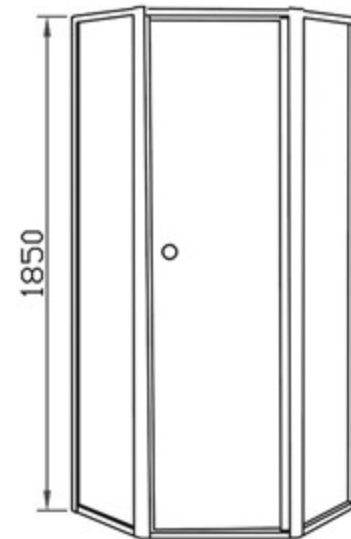
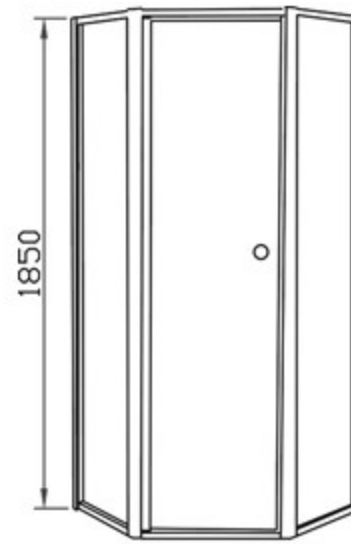


L0392
SHOWER ENCLOSURE



L0392-L

L0392-R

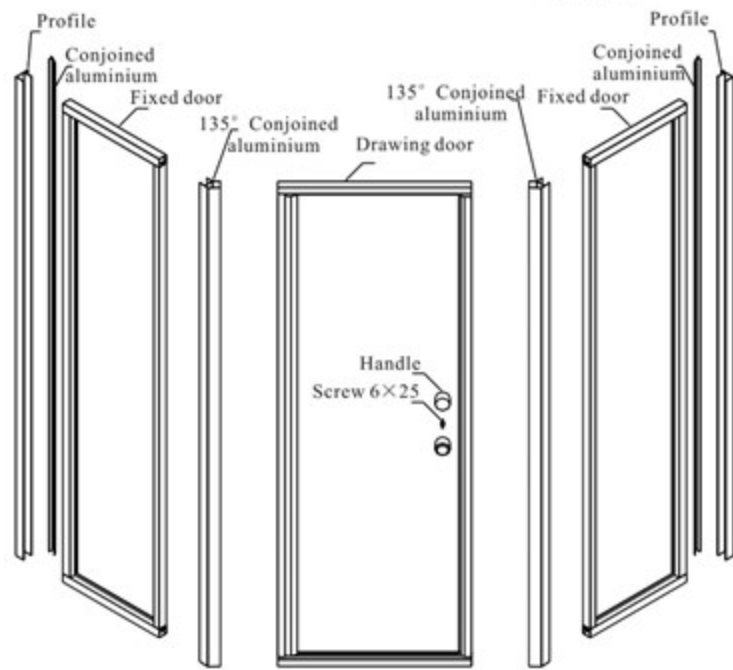
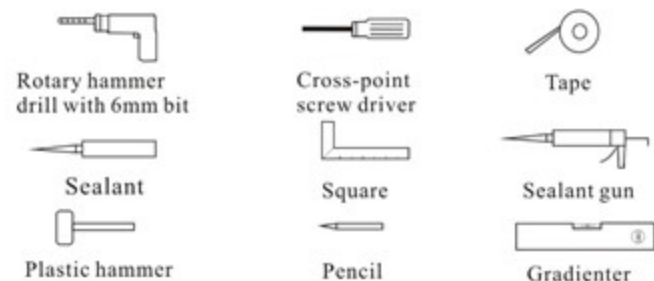
Installation Instruction of L0392

Dear sir and madam,
Thank you for using our relaxed sanitary products. Please read this instruction completely before you install the product to ensure you can install our products faster and safer.

Preparations for installation:

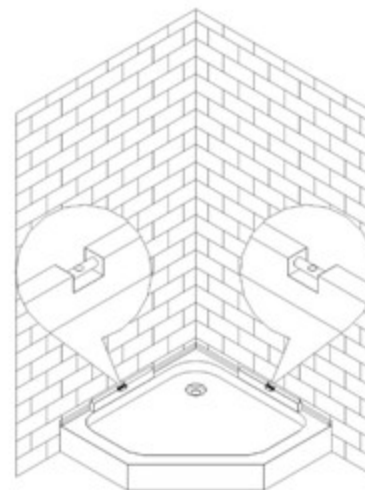
Please read this manual carefully after unpacking, verify whether the steam shower room is damaged by transportation, check the accessory according to the packing list. Please inform the local agency if you have any problem or enquiry, you will get a satisfied reply.

Tools for installation:

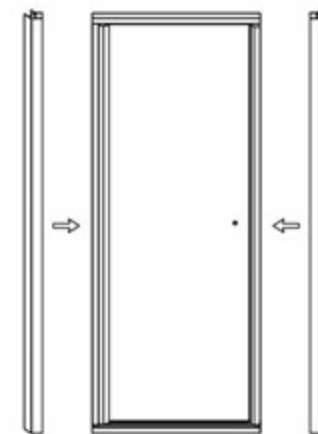


1

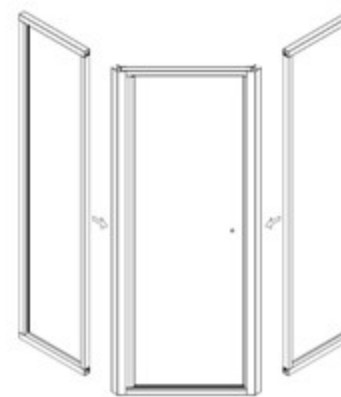
Installation procedure:



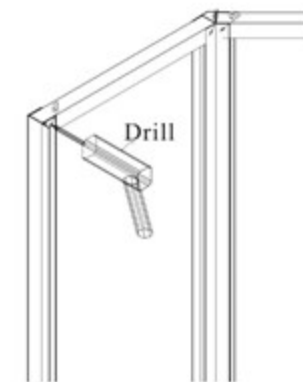
1. Steadier installing



2. Coapt the conjoined aluminium to the both sides of fixed door.



3. Coapt the fixed door to the conjoined aluminium

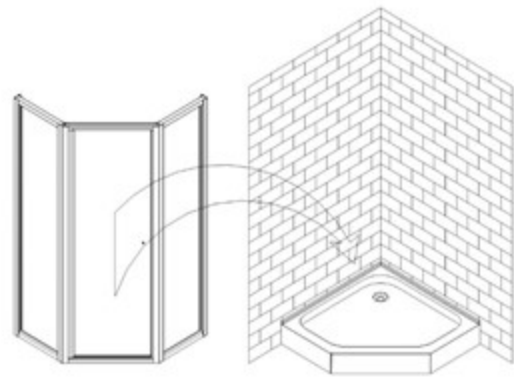


4. Drill screw holes sized ϕ 3mm on the connection between fixed and drawing door, as well as between the profile and fixed door.

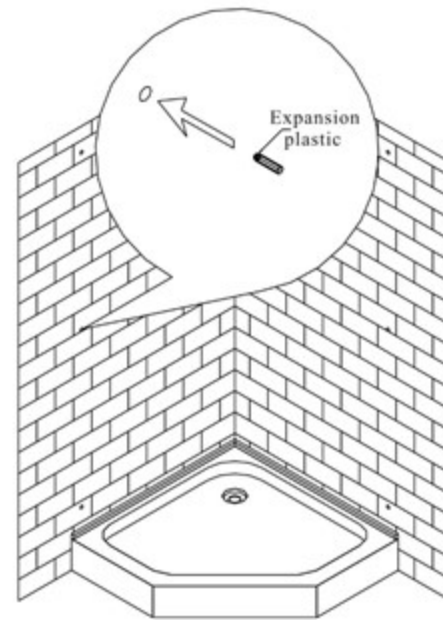
2



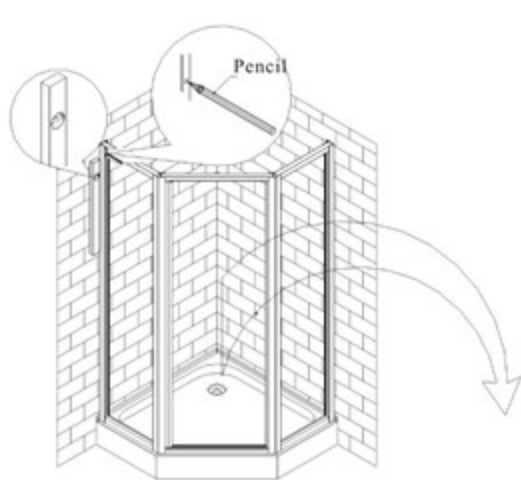
5. Install the profile.



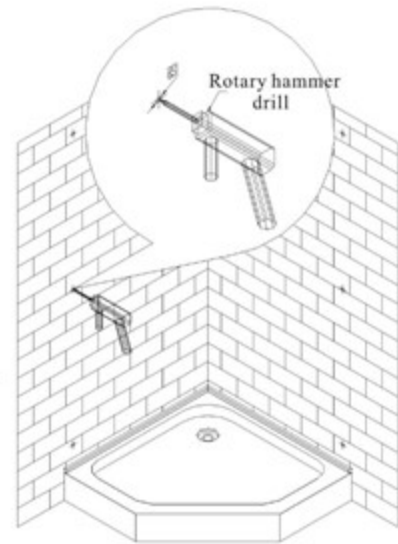
6. Put the door unit onto the steadier.



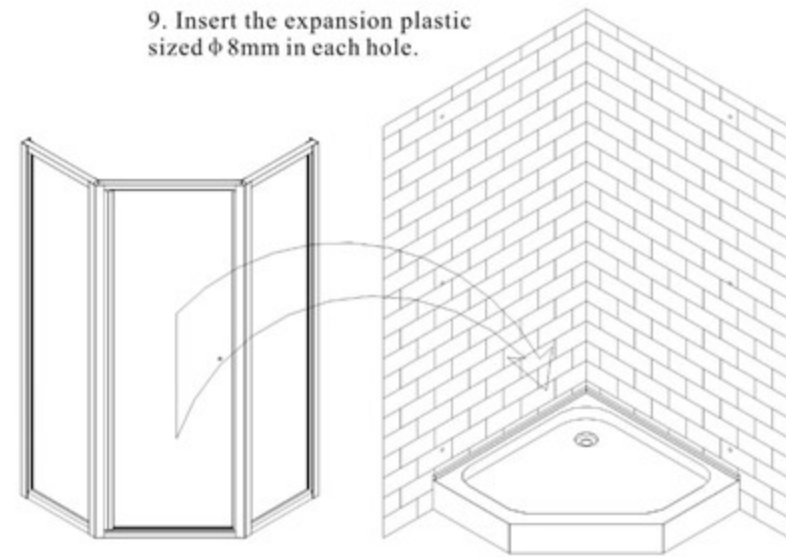
9. Insert the expansion plastic sized ϕ 8mm in each hole.



7. Mark the position of the vertical door unit with pencil on the wall.



8. Drill holes against the marks sized ϕ 8mm and depth in 40mm.



10. Put the door unit onto the steadier.