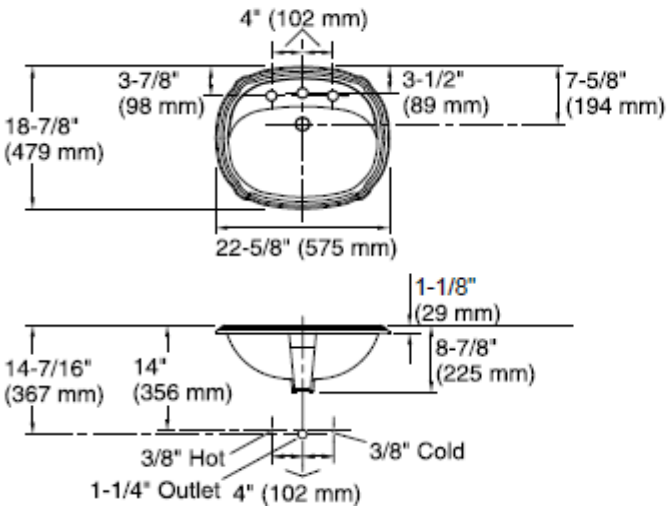


**SPECIFICATION SHEET - fixtures**

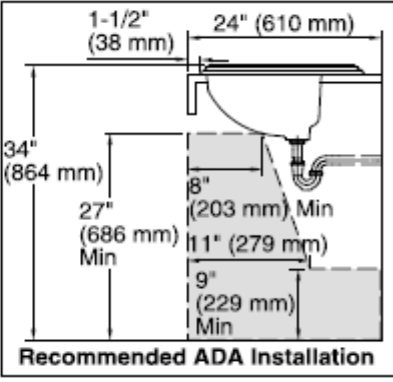
<b>BRAND:</b>	<b>KOHLER®</b>	<b>Product Photo:</b>  
<b>ORIGIN:</b>	USA / China	
<b>SERIES:</b>	<b>PORTRAIT</b>	
<b>PRODUCT DESCRIPTION:</b>	Oval Self-Rimming Lavatory with 3 tap holes 8"	
<b>MODEL No.</b>	K2189T-8-0	
<b>FINISH/COLOUR:</b>	White	
<b>DIMENSIONS:</b>	575mm x 479mm x 225mm	
<b>OPTIONAL MATCHING PARTS:</b>		

**Technical Informations:**



**Top View Dimensions:**  
 Overall width: 22-5/8" (575 mm)  
 Overall height: 18-7/8" (479 mm)  
 Distance between faucet holes: 4" (102 mm)  
 Distance from left edge to first faucet hole: 3-7/8" (98 mm)  
 Distance between faucet holes: 3-1/2" (89 mm)  
 Distance from right edge to last faucet hole: 7-5/8" (194 mm)

**Side View Dimensions:**  
 Overall depth: 14-7/16" (367 mm)  
 Depth to faucet holes: 14" (356 mm)  
 Faucet hole diameter: 3/8" Hot and 3/8" Cold  
 Drain outlet diameter: 1-1/4" Outlet  
 Rim height: 1-1/8" (29 mm)  
 Basin depth: 8-7/8" (225 mm)



**Recommended ADA Installation**

Clearance from wall to faucet: 1-1/2" (38 mm)  
 Total width from wall to end of basin: 24" (610 mm)  
 Total height from floor to top of basin: 34" (864 mm)  
 Minimum depth from wall to drain: 27" (686 mm) Min  
 Minimum clearance from faucet to drain: 8" (203 mm) Min  
 Minimum clearance from drain to wall: 1" (279 mm)  
 Minimum clearance from drain to floor: 9" (229 mm) Min

<b>REMINDER:</b>	Pipe flushing must be done before faucets are installed. Failure to do so voids the warranty.
	Do not use cleaners containing abrasive cleansers, ammonia, bleach, acids, waxes, alcohol, solvents or other products not recommended for chrome.
	All information is for reference only, installation shall always be based on the actual product delivered.