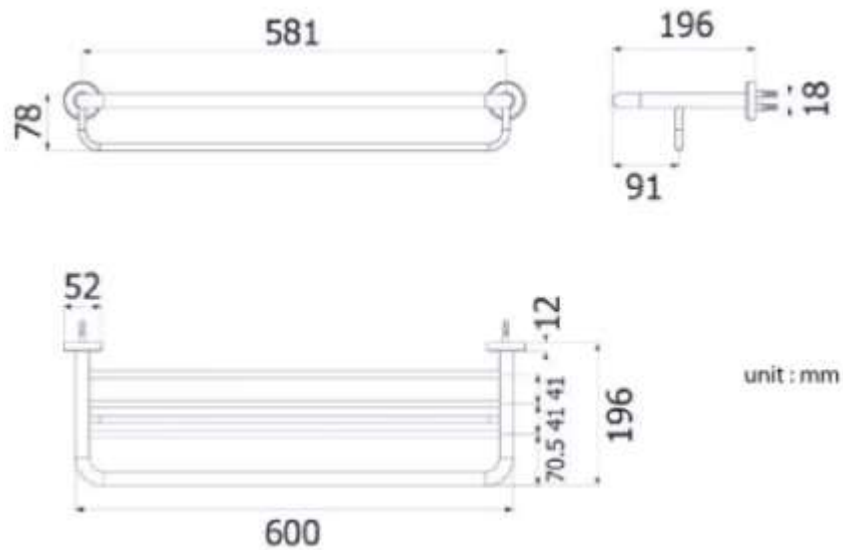




Brand : VRH, Thailand
 Name : MARATHON Towel rack
 Item Code : BP102AS
 Designer :
 Color / Finish: Stainless steel
 Dimensions : Overall (LxWxH in cm)
 60 x 19.6 x 7.8cm

Product info:

- Towel rack with extra bar



Flushing of pipe must be done before fittings are installed. Failure to do so voids the warranty.

Follow cleaning instructions and avoid using any harmful chemicals.

All information is for reference only. Installation shall always be based on the specs provided with actual delivered items.

For more info, visit www.sanitecph.com