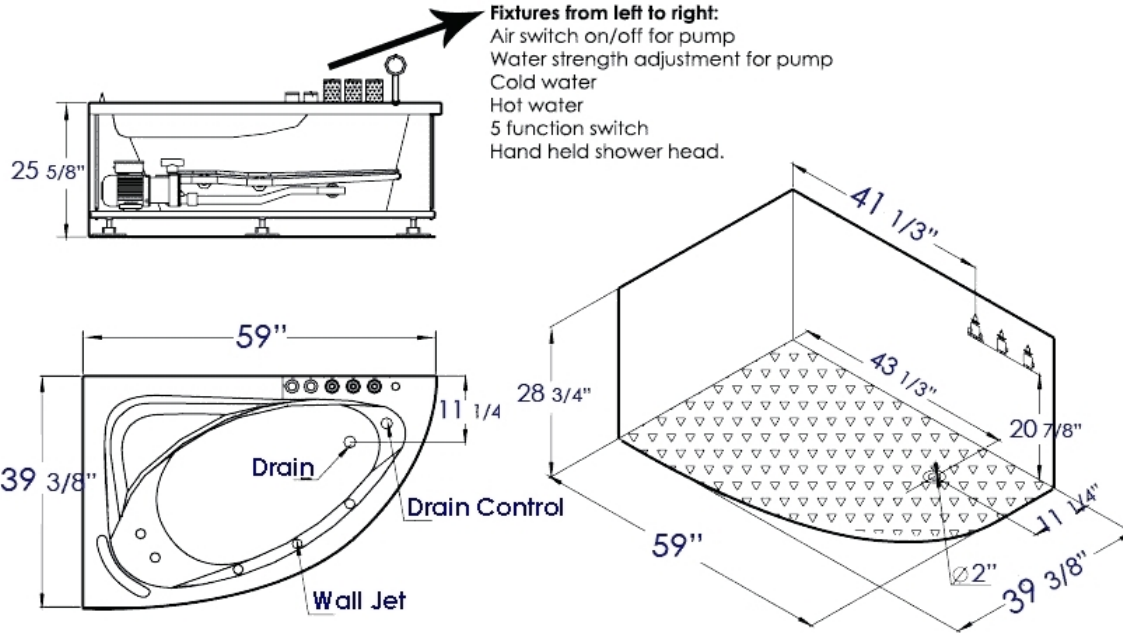


**SPECIFICATION SHEET - bathtubs**

|                                 |  |   |
|---------------------------------|--|---|
| <b>BRAND:</b>                   | <b>EAGO</b>  | <b>Product Photo:</b><br> |
| <b>ORIGIN:</b>                  | China  |   |
| <b>SERIES:</b>                  | <b>ACRYLIC MASSAGE BATHTUBS</b>  |   |
| <b>PRODUCT DESCRIPTION:</b>     | Corner whirlpool bathtub - 7 jets<br>171 liter capacity<br>with mixer and handshower |   |
| <b>MODEL No.</b>                | AM161L/R   |   |
| <b>FINISH/COLOUR:</b>           | Acrylic White  |   |
| <b>DIMENSIONS:</b>              | 1500 x 1000 x 650mm  |   |
| <b>OPTIONAL MATCHING PARTS:</b> |  |   |

**Technical Informations:**



**REMINDER:** Pipe flushing must be done before faucets are installed. Failure to do so voids the warranty.  
 Do not use cleaners containing abrasive cleansers, ammonia, bleach, acids, waxes, alcohol, solvents or other products not recommended for chrome.

All information is for reference only, installation shall always be based on the actual product delivered.