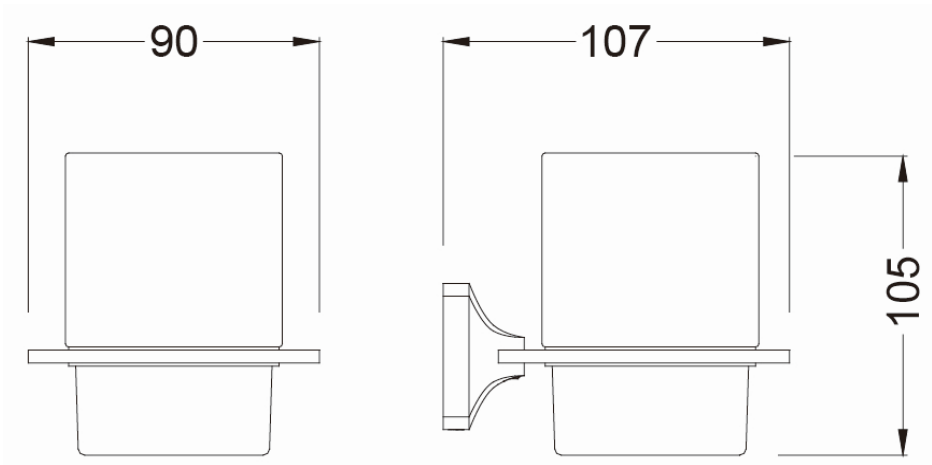


SPECIFICATION SHEET

BRAND:		Product Photo: 
ORIGIN:	China	
SERIES:	PILLAR	
PRODUCT DESCRIPTION:	Glass Holder	
MODEL No.	7050011	
FINISH/COLOUR:	Chrome plated	
DIMENSIONS:	107mm x 90mm x 105mm	
OPTIONAL MATCHING PARTS:		

Technical Informations:



REMINDER:	Do not use cleaners containing abrasive cleansers, ammonia, bleach, acids, waxes, alcohol, solvents or other products not recommended for chrome.
	All information is for reference only, installation shall always be based on the actual product delivered.