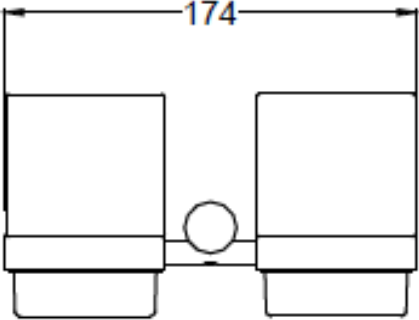
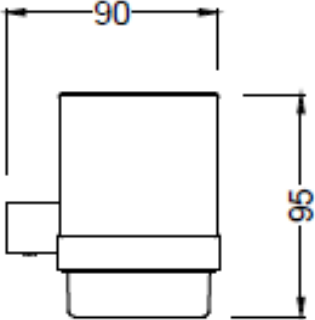


SPECIFICATION SHEET

BRAND:		Product Photo: 
ORIGIN:	China	
SERIES:	RENOIR	
PRODUCT DESCRIPTION:	Double glass holder	
MODEL No.	7002015	
FINISH/COLOUR:	Chrome plated	
DIMENSIONS:	90mm L x 174mm W x 95mm H	
OPTIONAL MATCHING PARTS:		

Technical Informations:	
	

REMINDER:	Do not use cleaners containing abrasive cleansers, ammonia, bleach, acids, waxes, alcohol, solvents or other products not recommended for chrome.
	All information is for reference only, installation shall always be based on the actual product delivered.