



SPECIFICATION SHEET - appliances

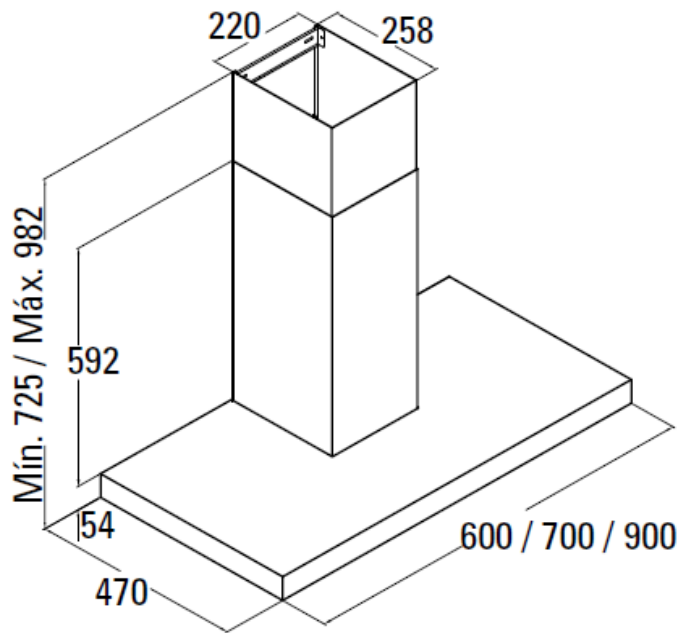
BRAND:		Product Photo: 
ORIGIN:	SPAIN	
SERIES:	MIDAS 900 XGBK	
PRODUCT DESCRIPTION:	<p>Decorative Wall hood s/s black glass</p> <ul style="list-style-type: none"> • TC 3v control panel with timer and filter cleaning indicator • 3 speeds, K7 Plus x 95W motor • mechanical push button • 420 m3/h maximum extraction capacity • 2 x 50W halogens adjustable intensity 	
MODEL No.	0202.9201	
FINISH/COLOUR:	Finish stainless steel	
DIMENSIONS:	900 x 470mm	
OPTIONAL MATCHING PARTS:		

Technical Informations:

Voltage: 220V / 50~60 Hz

Power:

Phase: single+grounding



REMINDER:

Do not use cleaners containing abrasive cleansers, ammonia, bleach, acids, waxes, alcohol, solvents or other products not recommended for chrome.

All information is for reference only, installation shall always be based on the actual product delivered.